



P R O D U C T
2019
C A T A L O G U E

COMFORT
REDEFINED

Arroll[®]



QR ENABLED BROCHURE

Our brochure is QR enabled. You can now scan the QR to view instant technical data. Just scan the code with any QR reader app and view more information.



QUALITY REDEFINED

Arroll cast iron radiators have an elegance and easy glamour that will complement all kinds of interior styles. Few household appliances combine such classic beauty with extreme functionality. At Arroll, you'll find exquisite designs made with craft and precision.

It's not all about aesthetics. Cast iron is one of the most efficient materials in conducting and retaining heat evenly and is an easy way to reduce home heating costs.

All our radiators come in a primed finish but can be painted to any Ral colour or semi polished to give them a contemporary or playful twist. They are crafted to the same high standards and meticulous attention to details that was used in the original 19th century artisan foundries. We manage every stage of the manufacturing process to ensure all our radiators are made to those same quality standards.

Almost all our cast iron radiators are reproduced from original sections and we remain true to the skill of the master craftsmen that passed their knowledge and expertise from one generation to the next.

These are traditions that Arroll strives to keep alive. In today's world where so many products are cheaply made, Arroll cast iron radiators represent a move back to beautiful and functional furniture that are made to last for your grandchildren to enjoy.

Important Information

All measurements & sizes presented in this publication are approximate. It is Arroll's policy to allow a 4% +/- tolerance on all measurements & sizes.

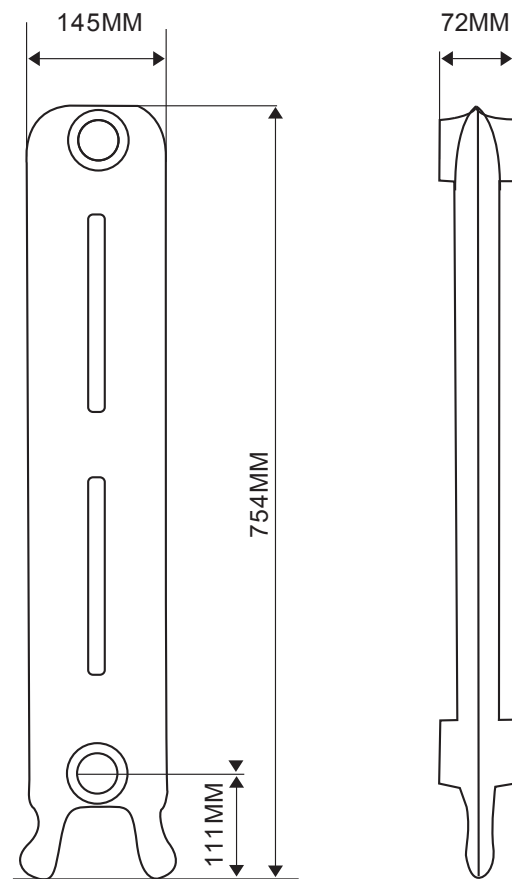
It is not recommended that pipe centres are set prior to the arrival and inspection of the radiator.

Measurements, sizes and data can change at anytime without notice. Please refer to arroll.co.uk for current and up-to-date technical information.

RA-754 THE ART NOUVEAU 754

Styled in The Art Nouveau period of 1890–1910, this slender radiator has an intricate scrolling pattern that adds a touch of grandeur to a classic radiator design.

One of the slimmest radiators in our collection, it is perfect for smaller spaces.



RADIATOR DIMENSIONS

Leg section height:	754mm
Middle section height:	682mm
Section length	72mm
Radiator depth:	145mm

INLET & EXIT

Bottom inlet to floor:	111mm
Top inlet to floor:	711mm
Pipe centres to skirting board:	72mm

HEAT OUTPUT PER SECTION

Delta ΔT 50°C	80Watts / 300BTUs
Delta ΔT 60°C:	111Watts / 379BTUs

RADIATOR WEIGHT

Empty weight per leg section:	7.56Kgs
Empty weight per middle section:	6.89Kgs
Filled weight per leg section:	10.06Kgs
Filled weight per middle section:	9.14Kgs

INTERNAL VOLUME

Leg section	2.25L
Middle section	2.25L

*All measurements and sizes are approximate.



RA-754 THE ART NOUVEAU 754



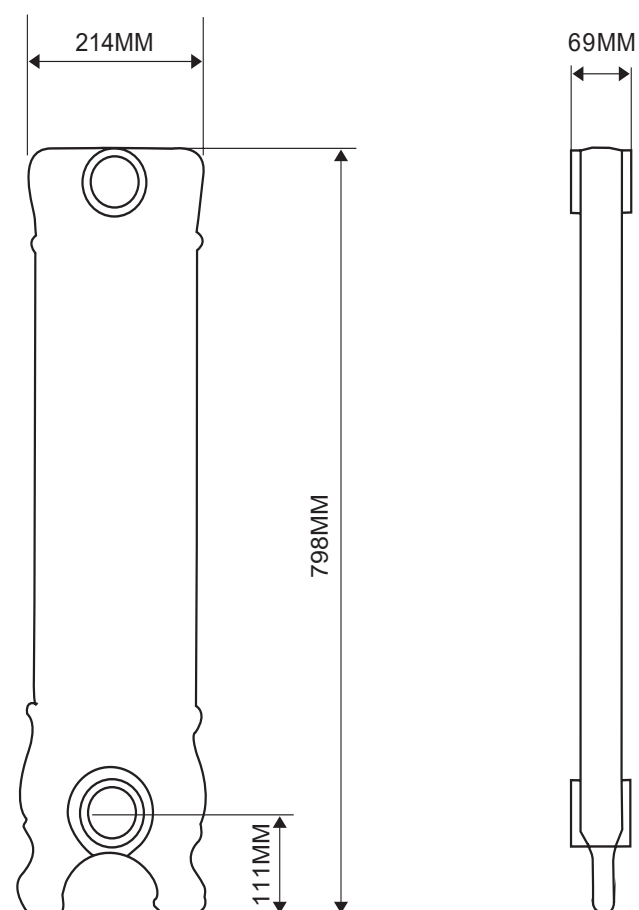
02-03



PRD 798/1 THE CHERUB 798

The antique style of this beautiful radiator originated in the romanesque and bohemian architecture of Central Europe. It was developed and manufactured in the USA by the American Radiator Company in 1842.

The lavish floral motif feels right at home in a period or traditional setting, though the intricate style creates a striking visual impact in an industrial or contemporary interior.



RADIATOR DIMENSIONS

Leg section height:	798mm
Middle section height:	744mm
Section length	69mm
Radiator depth:	214mm

INLET & EXIT

Bottom inlet to floor:	111mm
Top inlet to floor:	751mm
Pipe centres to skirting board:	107mm

HEAT OUTPUT PER SECTION

Delta ΔT 50°C:	112Watts / 382BTUs
Delta ΔT 60°C:	141Watts / 482BTUs

RADIATOR WEIGHT

Empty weight per leg section:	14.09Kgs
Empty weight per middle section:	13.75Kgs
Filled weight per leg section:	16.09Kgs
Filled weight per middle section:	15.75Kgs

INTERNAL VOLUME

Leg section	2L
Middle section	2L

*All measurements and sizes are approximate.



PRD 798/1 THE CHERUB 798

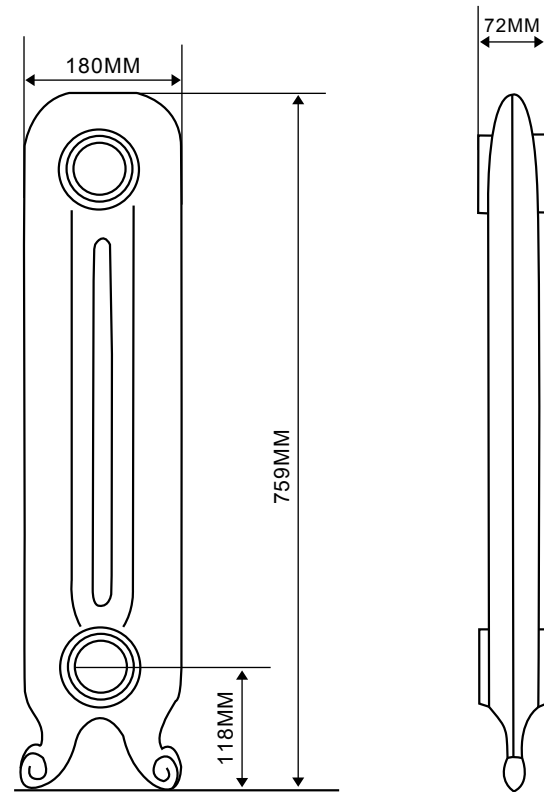


04-05

FR 759/2 THE SUNFLOWER 759



06-07



RADIATOR DIMENSIONS

Leg section height:	759mm
Middle section height:	687mm
Section length	72mm
Radiator depth:	180mm

INLET & EXIT

Bottom inlet to floor:	118mm
Top inlet to floor:	718mm
Pipe centres to skirting board:	90mm

HEAT OUTPUT PER SECTION

Delta ΔT 50°C:	104Watts / 357BTUs
Delta ΔT 60°C:	132Watts / 450BTUs

RADIATOR WEIGHT

Empty weight per leg section:	10.64Kgs
Empty weight per middle section:	10.04Kgs
Filled weight per leg section:	12.89Kgs
Filled weight per middle section:	12.79Kgs

INTERNAL VOLUME

Leg section	2.25L
Middle section	2.75L

All measurements and sizes are approximate.

FR 759/2 THE SUNFLOWER 759

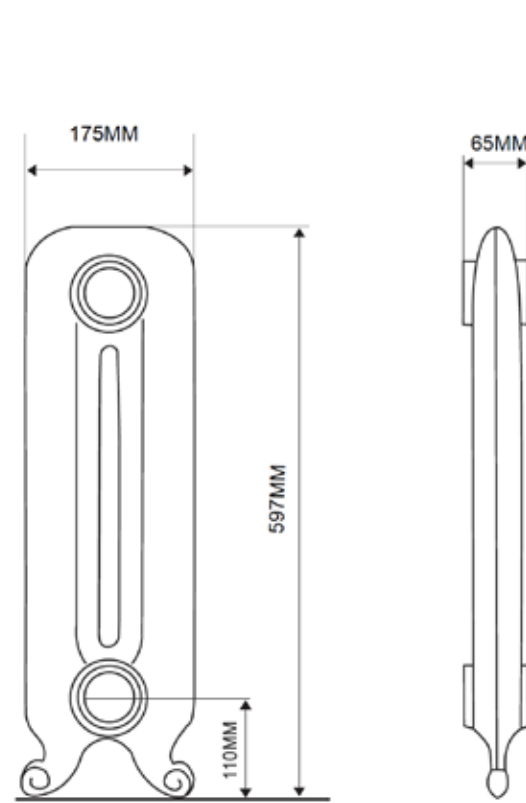
Though the Sunflower was first produced in France during the late 1800's, its florid pattern of Spring flowers and flowing curves embodies the Victorians' passion for ornamentation.





PRC 597/2 THE DAISY 597
PRC 794/2 THE DAISY 794

Also available in different sizes, the Daisy is a beautiful radiator with a highly decorative design and the perfect choice for an elegant, ornate look.



DAISY 597

RADIATOR DIMENSIONS

Leg section height:	597mm
Middle section height:	539mm
Section length	65mm
Radiator depth:	175mm

INLET & EXIT

Bottom inlet to floor:	110mm
Top inlet to floor:	511mm
Pipe centres to skirting board:	87.5mm

HEAT OUTPUT PER SECTION

Delta ΔT 50°C:	76Watts / 259BTUs
Delta ΔT 60°C:	95Watts / 327BTUs

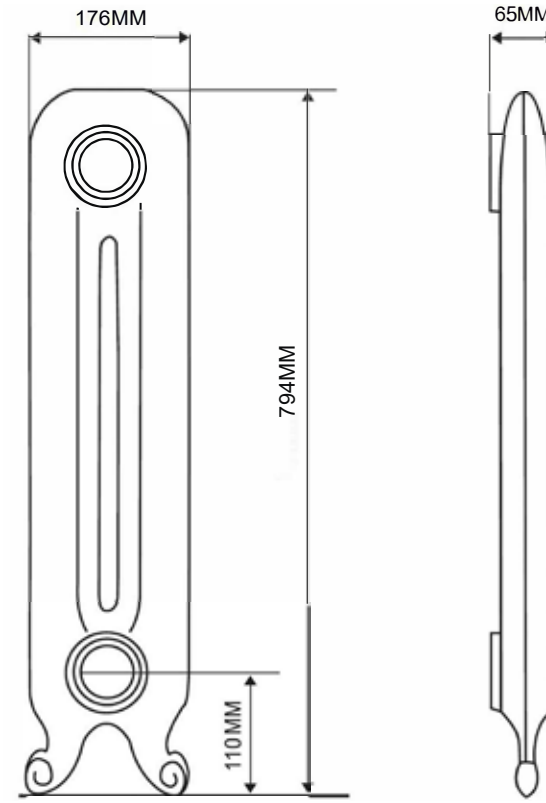
RADIATOR WEIGHT

Empty weight per leg section:	8.36Kgs
Empty weight per middle section:	7.31Kgs
Filled weight per leg section:	10.86Kgs
Filled weight per middle section:	9.81Kgs

INTERNAL VOLUME

Leg section	2.5L
Middle section	2.5L

*All measurements and sizes are approximate.



DAISY 794

RADIATOR DIMENSIONS

Leg section height:	794mm
Middle section height:	736mm
Section length	65mm
Radiator depth:	176mm

INLET & EXIT

Bottom inlet to floor:	110mm
Top inlet to floor:	708mm
Pipe centres to skirting board:	88mm

HEAT OUTPUT PER SECTION

Delta ΔT 50°C:	104Watts / 355BTUs
Delta ΔT 60°C:	131Watts / 448BTUs

RADIATOR WEIGHT

Empty weight per leg section:	10.39Kgs
Empty weight per middle section:	9.25Kgs
Filled weight per leg section:	13.39Kgs
Filled weight per middle section:	12.25Kgs

INTERNAL VOLUME

Leg section	3L
Middle section	3L

*All measurements and sizes are approximate.



Arroll



PRC 597/2 - PRC 794/2 THE DAISY 597 & 794



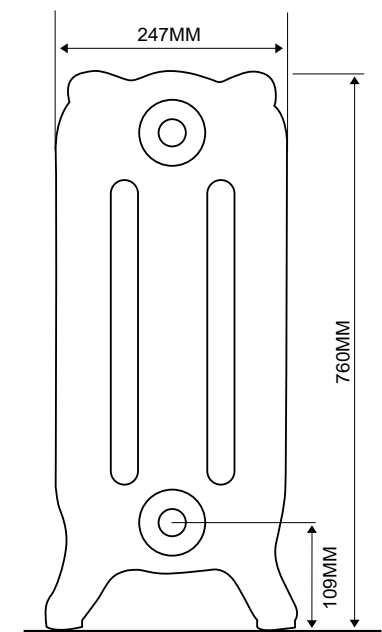
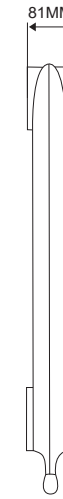
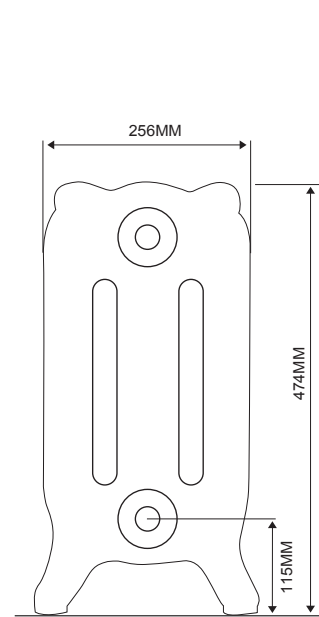
RA 474/3 - RA 760/3 THE MONTMARTRE 474 & 760





RA 474/3 THE MONTMARTRE 474
RA 760/3 THE MONTMARTRE 760

A charming and intricate design, the Montmartre radiator uses elaborate French rococo scrolling on each section. One of the most popular in our collection, this traditionally styled radiator comes in two sizes.



MONTMARTRE 474

RADIATOR DIMENSIONS

Leg section height:	474mm
Middle section height:	440mm
Section length	81mm
Radiator depth:	256mm

INLET & EXIT

Bottom inlet to floor:	115mm
Top inlet to floor:	415mm
Pipe centres to skirting board:	128mm

HEAT OUTPUT PER SECTION

Delta ΔT 50°C:	90Watts / 307BTUs
Delta ΔT 60°C:	113Watts / 388BTUs

RADIATOR WEIGHT

Empty weight per leg section:	8.78Kgs
Empty weight per middle section:	7.7Kgs
Filled weight per leg section:	11.28Kgs
Filled weight per middle section:	10Kgs

INTERNAL VOLUME

Leg section	2.5L
Middle section	2.5L

*All measurements and sizes are approximate.

MONTMARTRE 760

RADIATOR DIMENSIONS

Leg section height:	760mm
Middle section height:	705mm
Section length	81mm
Radiator depth:	247mm

INLET & EXIT

Bottom inlet to floor:	109mm
Top inlet to floor:	705mm
Pipe centres to skirting board:	123.5mm

HEAT OUTPUT PER SECTION

Delta ΔT 50°C:	144Watts / 491BTUs
Delta ΔT 60°C:	181Watts / 620BTUs

RADIATOR WEIGHT

Empty weight per leg section:	14Kgs
Empty weight per middle section:	12.40Kgs
Filled weight per leg section:	16.75Kgs
Filled weight per middle section:	14.09Kgs

INTERNAL VOLUME

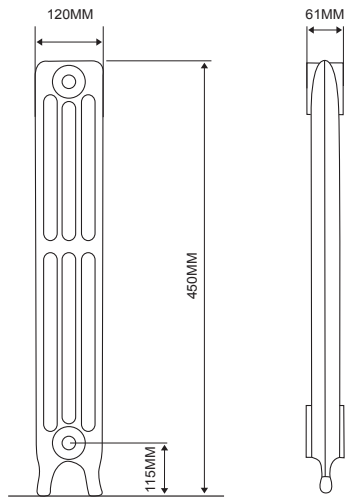
Leg section	2.75L
Middle section	2.5L

*All measurements and sizes are approximate.

RD 450/3c THE NEO-CLASSIC 450
RD 645/3c THE NEO-CLASSIC 645
RD 745/3c THE NEO-CLASSIC 745

As Part of the Neo classic range, the Neo-Classic 3 column is a narrow design suited for areas where space is crucial. The design first emerged in 1890 and represented a revival of an earlier classical style. Similar to our Victorian range, the Neo-Classic differs by having a pointed rather than a flat foot on each leg section.

Simple and stylish, its ordered symmetrical design makes it highly efficient in terms of heat output and works perfectly in both period and modern interior schemes.



THE NEO-CLASSIC 450

RADIATOR DIMENSIONS

Leg section height:	450mm
Middle section height:	384mm
Section length	61mm
Radiator depth:	120mm

INLET & EXIT

Bottom inlet to floor:	115mm
Top inlet to floor:	405mm
Pipe centres to skirting board:	60mm

HEAT OUTPUT PER SECTION

Delta ΔT 50°C:	48Watts / 164BTUs
Delta ΔT 60°C:	60Watts / 207BTUs

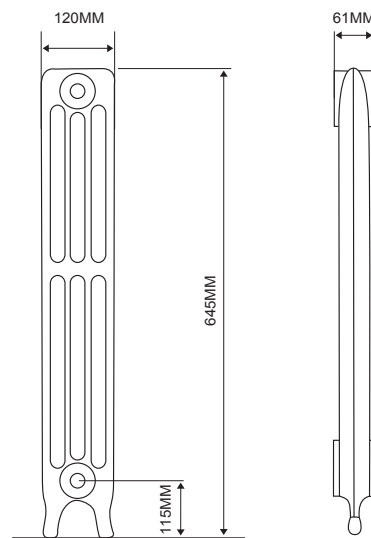
RADIATOR WEIGHT

Empty weight per leg section:	3.4Kgs
Empty weight per middle section:	3.1Kgs
Filled weight per leg section:	3.9Kgs
Filled weight per middle section:	3.6Kgs

INTERNAL VOLUME

Leg section	0.5L
Middle section	0.5L

*All measurements and sizes are approximate.



THE NEO-CLASSIC 645

RADIATOR DIMENSIONS

Leg section height:	645mm
Middle section height:	578mm
Section length	61mm
Radiator depth:	120mm

INLET & EXIT

Bottom inlet to floor:	115mm
Top inlet to floor:	610mm
Pipe centres to skirting board:	60mm

HEAT OUTPUT PER SECTION

Delta ΔT 50°C:	73Watts / 249BTUs
Delta ΔT 60°C:	92Watts / 314BTUs

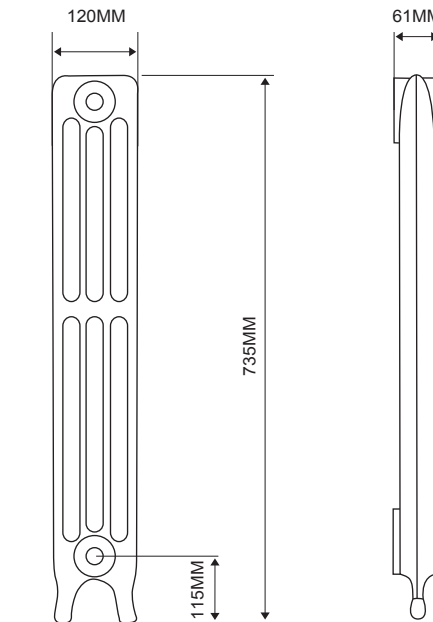
RADIATOR WEIGHT

Empty weight per leg section:	4.6Kgs
Empty weight per middle section:	4.4Kgs
Filled weight per leg section:	5.6Kgs
Filled weight per middle section:	5.4Kgs

INTERNAL VOLUME

Leg section	1L
Middle section	1L

*All measurements and sizes are approximate.



THE NEO-CLASSIC 735

RADIATOR DIMENSIONS

Leg section height:	735mm
Middle section height:	675mm
Section length	61mm
Radiator depth:	120mm

INLET & EXIT

Bottom inlet to floor:	115mm
Top inlet to floor:	700mm
Pipe centres to skirting board:	60mm

HEAT OUTPUT PER SECTION

Delta ΔT 50°C:	92Watts / 313BTUs
Delta ΔT 60°C:	118Watts / 402BTUs

RADIATOR WEIGHT

Empty weight per leg section:	5.44Kgs
Empty weight per middle section:	4.8Kgs
Filled weight per leg section:	6.94Kgs
Filled weight per middle section:	6.3Kgs

INTERNAL VOLUME

Leg section	1.5L
Middle section	1.5L

*All measurements and sizes are approximate.



RD 450/3c - RD 645/3c - RD 735/3c THE NEO-CLASSIC 450, 645 & 735

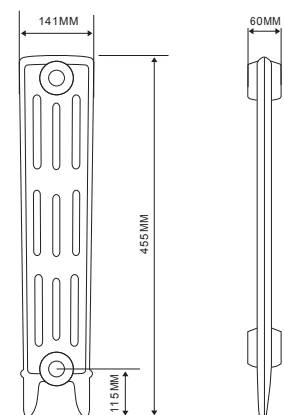


- RD 455/4c** THE NEO-CLASSIC 455
- RD 657/4c** THE NEO-CLASSIC 657
- RD 756/4c** THE NEO-CLASSIC 756
- RD 813/4c** THE NEO-CLASSIC 813



Perhaps the most recognisable of all cast iron radiators, the Neo-Classic 4 column is based on a Victorian design that first emerged in 1890 and represented a revival of an earlier classical style. Similar to our Victorian range, the Neo-Classic differs by having a pointed rather than a flat foot on each leg section.

Simple and stylish, its ordered symmetrical design makes it highly efficient in terms of heat output and works perfectly in both period and modern interior schemes.



NEO-CLASSIC 455

RADIATOR DIMENSIONS	
Leg section height:	455mm
Middle section height:	384mm
Section length	60mm
Radiator depth:	141mm

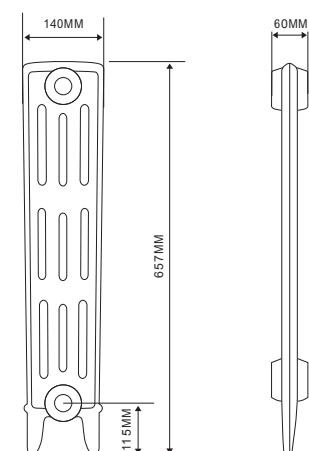
INLET & EXIT	
Bottom inlet to floor:	115mm
Top inlet to floor:	419mm
Pipe centres to skirting board:	70.5mm

HEAT OUTPUT PER SECTION	
Delta ΔT 50°C:	57.3Watts / 196BTUs
Delta ΔT 60°C:	62Watts / 213BTUs

RADIATOR WEIGHT	
Empty weight per leg section:	3.41Kgs
Empty weight per middle section:	3.18Kgs
Filled weight per leg section:	4.43Kgs
Filled weight per middle section:	4.19Kgs

INTERNAL VOLUME	
Leg section	1L
Middle section	1L

*All measurements and sizes are approximate.



NEO-CLASSIC 657

RADIATOR DIMENSIONS	
Leg section height:	657mm
Middle section height:	582mm
Section length	60mm
Radiator depth:	140mm

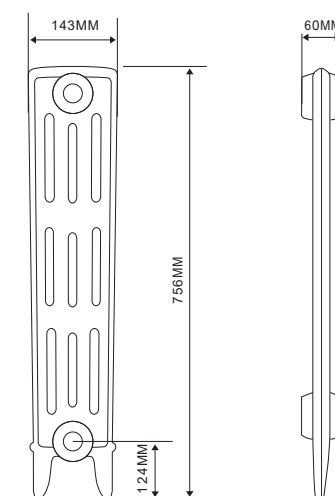
INLET & EXIT	
Bottom inlet to floor:	115mm
Top inlet to floor:	615mm
Pipe centres to skirting board:	70mm

HEAT OUTPUT PER SECTION	
Delta ΔT 50°C:	78Watts / 266BTUs
Delta ΔT 60°C:	98Watts / 336BTUs

RADIATOR WEIGHT	
Empty weight per leg section:	4.78Kgs
Empty weight per middle section:	4.56Kgs
Filled weight per leg section:	5.99Kgs
Filled weight per middle section:	5.73Kgs

INTERNAL VOLUME	
Leg section	1.2L
Middle section	1.1L

*All measurements and sizes are approximate.



NEO-CLASSIC 756

RADIATOR DIMENSIONS	
Leg section height:	756mm
Middle section height:	683mm
Section length	60mm
Radiator depth:	143mm

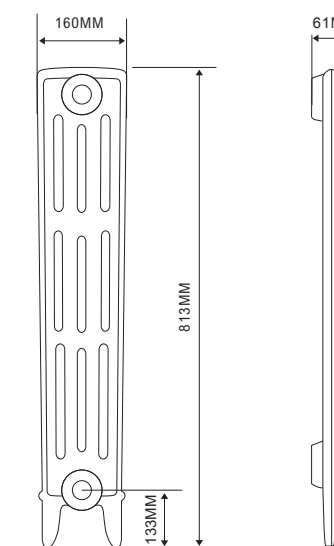
INLET & EXIT	
Bottom inlet to floor:	124mm
Top inlet to floor:	714mm
Pipe centres to skirting board:	71.5mm

HEAT OUTPUT PER SECTION	
Delta ΔT 50°C:	91.6Watts / 313BTUs
Delta ΔT 60°C:	115Watts / 395BTUs

RADIATOR WEIGHT	
Empty weight per leg section:	5.94Kgs
Empty weight per middle section:	5.56Kgs
Filled weight per leg section:	7.19Kgs
Filled weight per middle section:	6.81Kgs

INTERNAL VOLUME	
Leg section	1.25L
Middle section	1.25L

*All measurements and sizes are approximate.



NEO-CLASSIC 813

RADIATOR DIMENSIONS	
Leg section height:	813mm
Middle section height:	724mm
Section length	61mm
Radiator depth:	160mm

INLET & EXIT	
Bottom inlet to floor:	133mm
Top inlet to floor:	773mm
Pipe centres to skirting board:	80mm

HEAT OUTPUT PER SECTION	
Delta ΔT 50°C:	103Watts / 351BTUs
Delta ΔT 60°C:	129Watts / 443BTUs

RADIATOR WEIGHT	
Empty weight per leg section:	6.55Kgs
Empty weight per middle section:	6.12Kgs
Filled weight per leg section:	7.95Kgs
Filled weight per middle section:	7.52Kgs

INTERNAL VOLUME	
Leg section	1.4L
Middle section	1.4L

*All measurements and sizes are approximate.

RD 455/4c - RD 657/4c - RD 756/4c - RD 813/4c THE NEO-CLASSIC 455, 657, 756 & 813

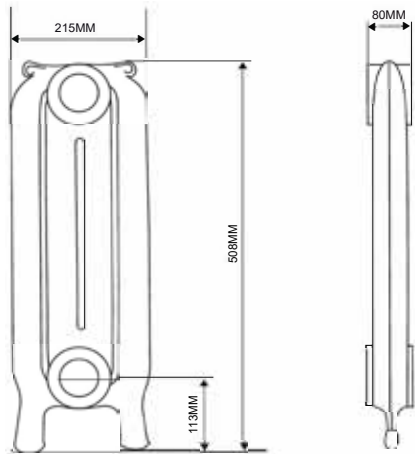




PRE 508/2 THE PARISIAN 508
PRE 655/2 THE PARISIAN 655
PRE 762/2 THE PARISIAN 762

When it comes to the Parisian, think pure unashamed glamour. The evocative scrolling patterns make it our most distinguished radiator.

Our mould making artisans have painstakingly reproduced this 19th century French radiator using traditional sand casting techniques used by craftsmen of that period.



THE PARISIAN 508

RADIATOR DIMENSIONS

Leg section height:	508mm
Middle section height:	447mm
Section length	80mm
Radiator depth:	215mm

INLET & EXIT

Bottom inlet to floor:	113mm
Top inlet to floor:	463mm
Pipe centres to skirting board:	107.5mm

HEAT OUTPUT PER SECTION

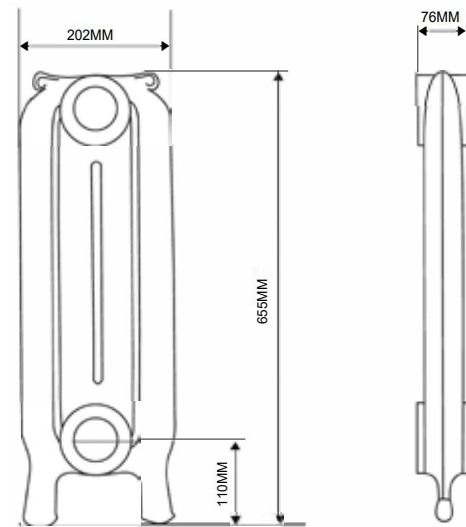
Delta ΔT 50°C:	78Watts / 266BTUs
Delta ΔT 60°C:	98Watts / 336BTUs

RADIATOR WEIGHT

Empty weight per leg section:	7.9Kgs
Empty weight per middle section:	6.12Kgs
Filled weight per leg section:	10.2Kgs
Filled weight per middle section:	7.12Kgs

INTERNAL VOLUME

Leg section	1L
Middle section	1L



THE PARISIAN 655

RADIATOR DIMENSIONS

Leg section height:	655mm
Middle section height:	594mm
Section length	76mm
Radiator depth:	202mm

INLET & EXIT

Bottom inlet to floor:	110mm
Top inlet to floor:	610mm
Pipe centres to skirting board:	101mm

HEAT OUTPUT PER SECTION

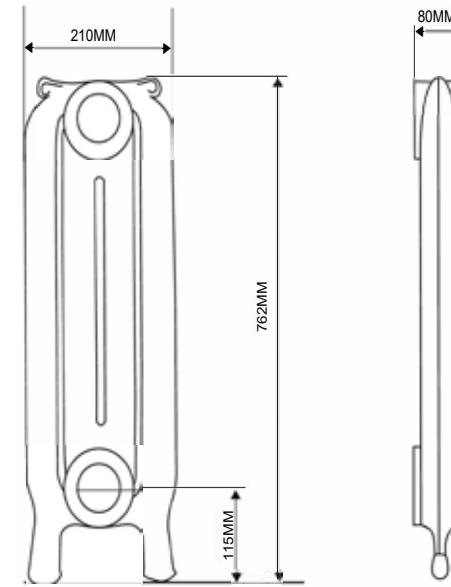
Delta ΔT 50°C:	100Watts / 341BTUs
Delta ΔT 60°C:	126Watts / 431BTUs

RADIATOR WEIGHT

Empty weight per leg section:	9.90Kgs
Empty weight per middle section:	8.44Kgs
Filled weight per leg section:	12.65Kgs
Filled weight per middle section:	11.19Kgs

INTERNAL VOLUME

Leg section	2.75L
Middle section	2.75L



THE PARISIAN 762

RADIATOR DIMENSIONS

Leg section height:	762mm
Middle section height:	705mm
Section length	80mm
Radiator depth:	210mm

INLET & EXIT

Bottom inlet to floor:	115mm
Top inlet to floor:	715mm
Pipe centres to skirting board:	105mm

HEAT OUTPUT PER SECTION

Delta ΔT 50°C:	115Watts / 392BTUs
Delta ΔT 60°C:	145Watts / 495BTUs

RADIATOR WEIGHT

Empty weight per leg section:	10.22Kgs
Empty weight per middle section:	9.05Kgs
Filled weight per leg section:	13.97Kgs
Filled weight per middle section:	12.8Kgs

INTERNAL VOLUME

Leg section	3.75L
Middle section	3.75L

*All measurements and sizes are approximate.

*All measurements and sizes are approximate.

*All measurements and sizes are approximate.

PRE 508/2 - PRE 655/2 - PRE 762/2 THE PARISIAN 508, 655, 762



RP 549/2 - RP 748/2 - RP 810/2 THE PRINCESS 549, 748 & 810



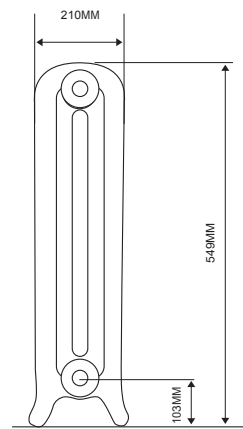
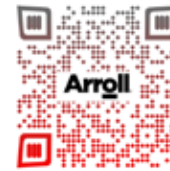
18-19



RP 549/2 THE PRINCESS 549
RP 748/2 THE PRINCESS 748
RP 810/2 THE PRINCESS 810

Our Princess radiators are based on a design that was first introduced in 1898 by the Ideal Radiator Company. Well suited to modern and traditional spaces, its rounded contours and smooth casting make it an easy choice for any kind of space.

The Princess can be painted in any colour to create a dramatic effect.



THE PRINCESS 549

RADIATOR DIMENSIONS

Leg section height:	549mm
Middle section height:	494mm
Section length	76mm
Radiator depth:	210mm

INLET & EXIT

Bottom inlet to floor:	103mm
Top inlet to floor:	503mm
Pipe centres to skirting board:	105mm

HEAT OUTPUT PER SECTION

Delta ΔT 50°C:	85Watts / 290BTUs
Delta ΔT 60°C:	107Watts / 366BTUs

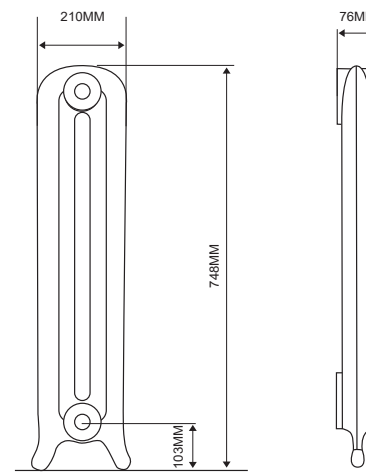
RADIATOR WEIGHT

Empty weight per leg section:	9Kgs
Empty weight per middle section:	9Kgs
Filled weight per leg section:	10.5Kgs
Filled weight per middle section:	9.5Kgs

INTERNAL VOLUME

Leg section	1.5L
Middle section	0.5L

*All measurements and sizes are approximate.



THE PRINCESS 748

RADIATOR DIMENSIONS

Leg section height:	748mm
Middle section height:	693mm
Section length	76mm
Radiator depth:	210mm

INLET & EXIT

Bottom inlet to floor:	103mm
Top inlet to floor:	700mm
Pipe centres to skirting board:	105mm

HEAT OUTPUT PER SECTION

Delta ΔT 50°C:	111Watts / 379BTUs
Delta ΔT 60°C:	140Watts / 479BTUs

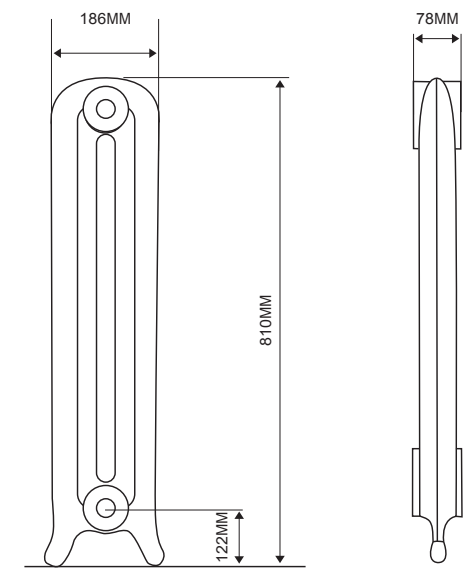
RADIATOR WEIGHT

Empty weight per leg section:	11Kgs
Empty weight per middle section:	9Kgs
Filled weight per leg section:	13Kgs
Filled weight per middle section:	12Kgs

INTERNAL VOLUME

Leg section	2L
Middle section	3L

*All measurements and sizes are approximate.



THE PRINCESS 810

RADIATOR DIMENSIONS

Leg section height:	810mm
Middle section height:	730mm
Section length	78mm
Radiator depth:	186mm

INLET & EXIT

Bottom inlet to floor:	122mm
Top inlet to floor:	765mm
Pipe centres to skirting board:	93mm

HEAT OUTPUT PER SECTION

Delta ΔT 50°C:	121Watts / 413BTUs
Delta ΔT 60°C:	152Watts / 522BTUs

RADIATOR WEIGHT

Empty weight per leg section:	10.5Kgs
Empty weight per middle section:	9.5Kgs
Filled weight per leg section:	13.5Kgs
Filled weight per middle section:	12.5Kgs

INTERNAL VOLUME

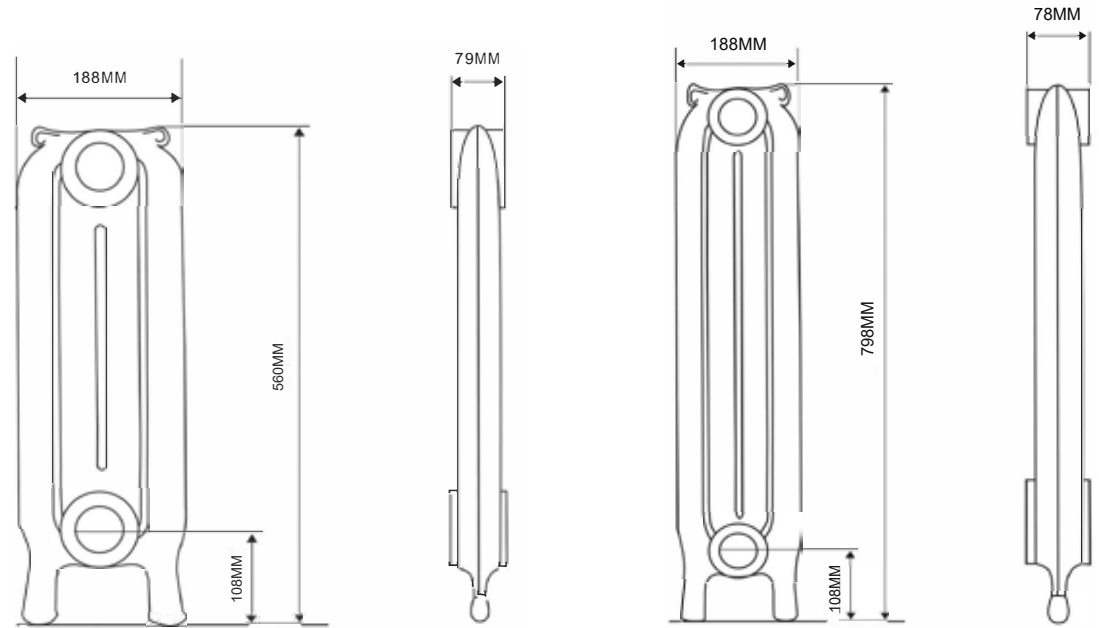
Leg section	3L
Middle section	3L

*All measurements and sizes are approximate.



RQ 560/2c THE PRINCE 560
RQ 798/2c THE PRINCE 798

The Prince is inspired by the traditional school radiator and is a perfect blend of simplicity and functionality. Its sleek curves and minimalist style lend a homely no-nonsense feel to industrial, contemporary and loft style spaces.



THE PRINCE 560

RADIATOR DIMENSIONS

Leg section height:	560mm
Middle section height:	494mm
Section length	79mm
Radiator depth:	188mm

INLET & EXIT

Bottom inlet to floor:	108mm
Top inlet to floor:	510mm
Pipe centres to skirting board:	94mm

HEAT OUTPUT PER SECTION

Delta ΔT 50°C:	81Watts / 276BTUs
Delta ΔT 60°C:	103Watts / 351 BTUs

RADIATOR WEIGHT

Empty weight per leg section:	10.5Kgs
Empty weight per middle section:	8.5Kgs
Filled weight per leg section:	12.5Kgs
Filled weight per middle section:	10.5Kgs

INTERNAL VOLUME

Leg section	2L
Middle section	2L

*All measurements and sizes are approximate.

THE PRINCE 798

RADIATOR DIMENSIONS

Leg section height:	798mm
Middle section height:	736mm
Section length	78mm
Radiator depth:	188mm

INLET & EXIT

Bottom inlet to floor:	108mm
Top inlet to floor:	750mm
Pipe centres to skirting board:	94mm

HEAT OUTPUT PER SECTION

Delta ΔT 50°C:	117Watts / 399BTUs
Delta ΔT 60°C:	148Watts / 504BTUs

RADIATOR WEIGHT

Empty weight per leg section:	13Kgs
Empty weight per middle section:	12Kgs
Filled weight per leg section:	16Kgs
Filled weight per middle section:	15Kgs

INTERNAL VOLUME

Leg section	3L
Middle section	3L

*All measurements and sizes are approximate.

RQ 560/2c - RQ 798/2c THE PRINCE 560 & 798



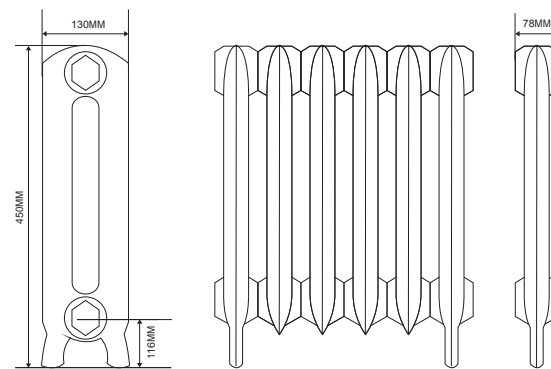
20-21

RL 450/1 - RL 600/1 - RL 795/1 THE PEERLESS - 450, 600 & 795



RL 450/1 THE PEERLESS 450
RL 600/1 THE PEERLESS 600
RL 795/1 THE PEERLESS 795

Available in 3 heights the Arroll peerless cast iron radiator is ideal for narrow areas that also need good heat outputs. Its plain design will compliment other Arroll radiators such as the princess.



THE PEERLESS 450

RADIATOR DIMENSIONS

Leg section height:	450mm
Middle section height:	395mm
Section length	78mm
Radiator depth:	130mm

INLET & EXIT

Bottom inlet to floor:	116mm
Top inlet to floor:	400mm
Pipe centres to skirting board:	65mm

HEAT OUTPUT PER SECTION

Delta ΔT 50°C:	50Watts / 171BTUs
Delta ΔT 60°C:	63Watts / 216BTUs

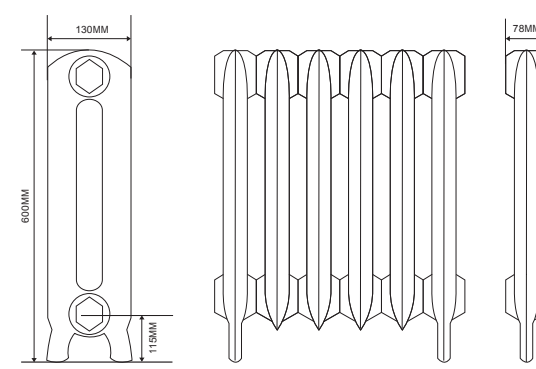
RADIATOR WEIGHT

Empty weight per leg section:	5.2Kgs
Empty weight per middle section:	6Kgs
Filled weight per leg section:	7Kgs
Filled weight per middle section:	6.2Kgs

INTERNAL VOLUME

Leg section	1L
Middle section	1L

*All measurements and sizes are approximate.



THE PEERLESS 600

RADIATOR DIMENSIONS

Leg section height:	600mm
Middle section height:	544mm
Section length	78mm
Radiator depth:	130mm

INLET & EXIT

Bottom inlet to floor:	115mm
Top inlet to floor:	555mm
Pipe centres to skirting board:	65mm

HEAT OUTPUT PER SECTION

Delta ΔT 50°C:	68Watts / 232BTUs
Delta ΔT 60°C:	85Watts / 293BTUs

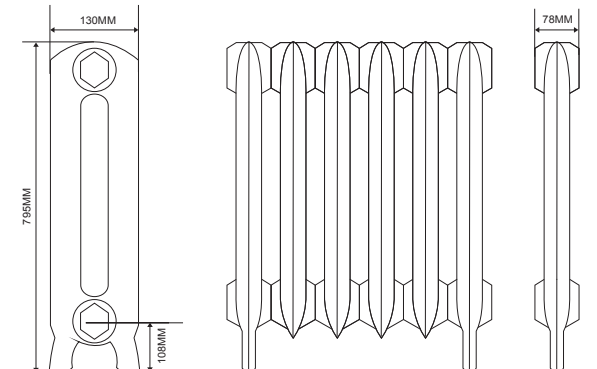
RADIATOR WEIGHT

Empty weight per leg section:	7.1Kgs
Empty weight per middle section:	7Kgs
Filled weight per leg section:	8.1Kgs
Filled weight per middle section:	8Kgs

INTERNAL VOLUME

Leg section	1L
Middle section	1L

*All measurements and sizes are approximate.



THE PEERLESS 795

RADIATOR DIMENSIONS

Leg section height:	795mm
Middle section height:	737mm
Section length	78mm
Radiator depth:	130mm

INLET & EXIT

Bottom inlet to floor:	108mm
Top inlet to floor:	750mm
Pipe centres to skirting board:	65mm

HEAT OUTPUT PER SECTION

Delta ΔT 50°C:	87Watts / 297BTUs
Delta ΔT 60°C:	109Watts / 375BTUs

RADIATOR WEIGHT

Empty weight per leg section:	9Kgs
Empty weight per middle section:	10Kgs
Filled weight per leg section:	10.6Kgs
Filled weight per middle section:	11.6Kgs

INTERNAL VOLUME

Leg section	1.6L
Middle section	1.6L

*All measurements and sizes are approximate.

RA 754/2
THE ART NOUVEAU 754

RQ 560/2
THE PRINCE 560

RP 748/2
THE PRINCESS 748

RD 745/4
THE NEO-CLASSIC 745

RA 760/3
THE MONTMARTRE 760

RQ 798/2
THE PRINCE 798

PRD 798/1
THE CHERUB 798

RPM 763/3
THE PARISIAN 763

RV 760/4
THE VICTORIAN 760

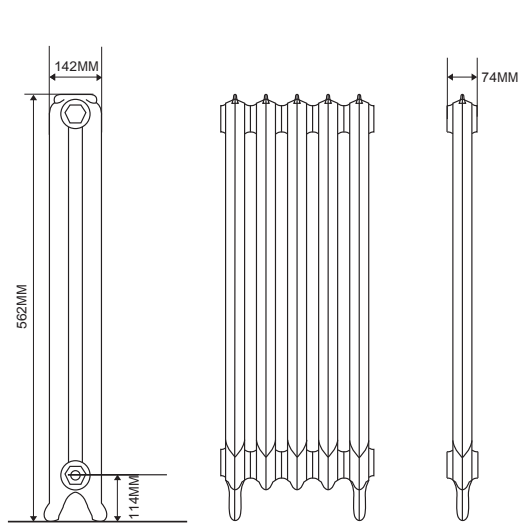
PRE 505/2
THE PARISIAN 505

PRC 597/2
THE DAISY 597

RV 330/9
THE VICTORIAN 330

PRF 562/1c THE ROCOCO 562
PRF 664/1c THE ROCOCO 664
PRF 952/1c THE ROCOCO 952

Beautifully embossed and scrolled the Rococo cast iron radiator comes in 3 heights and is designed for narrow places such as hallways and landings, this radiator model will also compliment Arrolls Parisian and Montmartre cast iron radiator.



THE ROCOCO 562

RADIATOR DIMENSIONS

Leg section height:	562mm
Middle section height:	501mm
Section length	74mm
Radiator depth:	142mm

INLET & EXIT

Bottom inlet to floor:	114mm
Top inlet to floor:	514mm
Pipe centres to skirting board:	71mm

HEAT OUTPUT PER SECTION

Delta ΔT 50°C:	60Watts / 205BTUs
Delta ΔT 60°C:	79Watts / 259BTUs

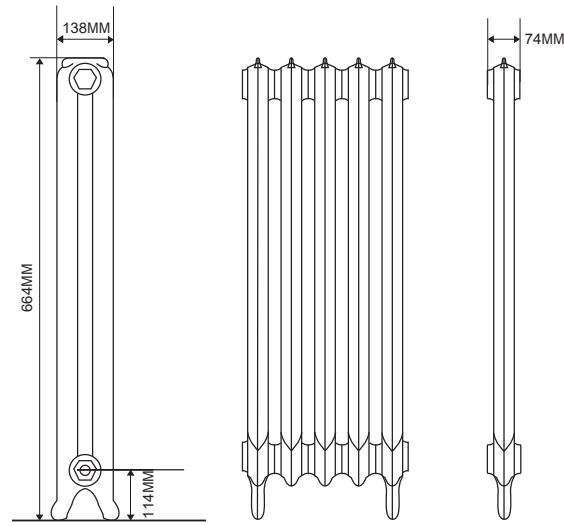
RADIATOR WEIGHT

Empty weight per leg section:	8.5Kgs
Empty weight per middle section:	7.5Kgs
Filled weight per leg section:	9.5Kgs
Filled weight per middle section:	8.5Kgs

INTERNAL VOLUME

Leg section	1L
Middle section	1L

*All measurements and sizes are approximate.



THE ROCOCO 664

RADIATOR DIMENSIONS

Leg section height:	664mm
Middle section height:	601mm
Section length	74mm
Radiator depth:	138mm

INLET & EXIT

Bottom inlet to floor:	114mm
Top inlet to floor:	614mm
Pipe centres to skirting board:	69mm

HEAT OUTPUT PER SECTION

Delta ΔT 50°C:	69Watts / 237BTUs
Delta ΔT 60°C:	87Watts / 299BTUs

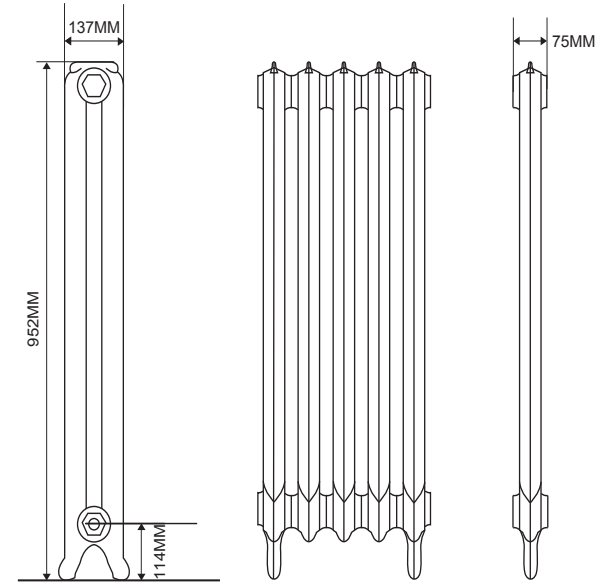
RADIATOR WEIGHT

Empty weight per leg section:	9Kgs
Empty weight per middle section:	8Kgs
Filled weight per leg section:	10.5Kgs
Filled weight per middle section:	9.5Kgs

INTERNAL VOLUME

Leg section	1.5L
Middle section	1.5L

*All measurements and sizes are approximate.



THE ROCOCO 952

RADIATOR DIMENSIONS

Leg section height:	952mm
Middle section height:	890mm
Section length	75mm
Radiator depth:	137mm

INLET & EXIT

Bottom inlet to floor:	114mm
Top inlet to floor:	904mm
Pipe centres to skirting board:	68.5mm

HEAT OUTPUT PER SECTION

Delta ΔT 50°C:	96Watts / 329BTUs
Delta ΔT 60°C:	121Watts / 415BTUs

RADIATOR WEIGHT

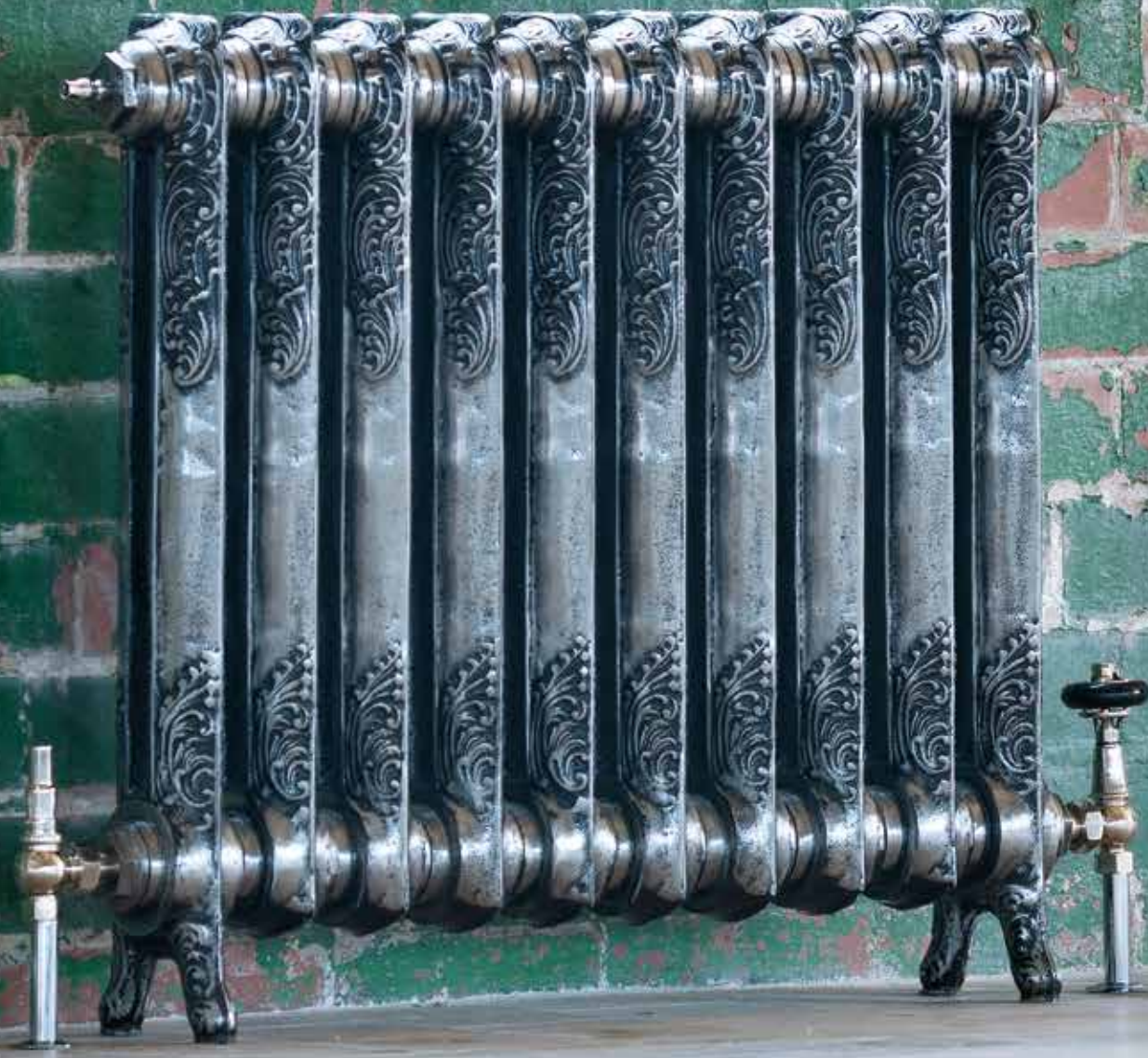
Empty weight per leg section:	12Kgs
Empty weight per middle section:	11Kgs
Filled weight per leg section:	14.5Kgs
Filled weight per middle section:	13.5Kgs

INTERNAL VOLUME

Leg section	2.5L
Middle section	2.5L

*All measurements and sizes are approximate.

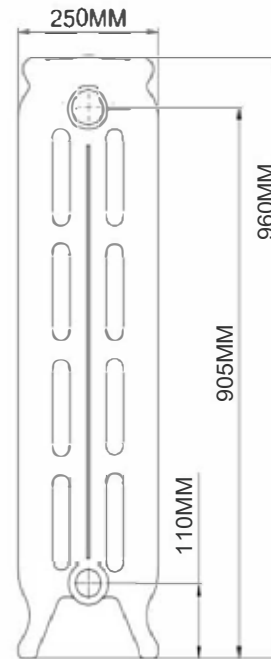
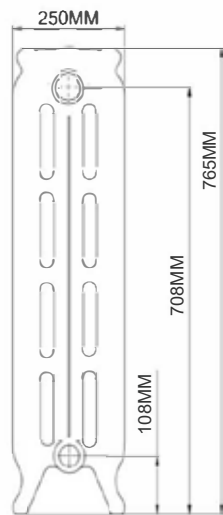
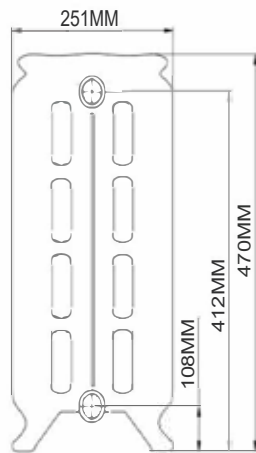
PRF 562/1c - PRF 664/1c - PRF 952/1c THE ROCOCO - 562, 664 & 952





PRB 470/3c THE ROCOCO 470
PRB 765/3c THE ROCOCO 765
PRB 960/3c THE ROCOCO 960

Beautifully embossed and scrolled the Rococo 3 column cast iron radiator comes in 3 heights. This radiator model will also compliment Arrolls Parisian and Montmartre cast iron radiator.



THE ROCOCO 470

RADIATOR DIMENSIONS

Leg section height:	470mm
Middle section height:	411mm
Section length	78mm
Radiator depth:	251mm

INLET & EXIT

Bottom inlet to floor:	108mm
Top inlet to floor:	412mm
Pipe centres to skirting board:	125.5mm

HEAT OUTPUT PER SECTION

Delta ΔT 50°C:	95Watts / 324BTUs
Delta ΔT 60°C:	119Watts / 409BTUs

RADIATOR WEIGHT

Empty weight per leg section:	9Kgs
Empty weight per middle section:	8Kgs
Filled weight per leg section:	10Kgs
Filled weight per middle section:	9Kgs

INTERNAL VOLUME

Leg section	1L
Middle section	1L

*All measurements and sizes are approximate.

THE ROCOCO 765

RADIATOR DIMENSIONS

Leg section height:	765mm
Middle section height:	707mm
Section length	78mm
Radiator depth:	251mm

INLET & EXIT

Bottom inlet to floor:	108mm
Top inlet to floor:	708mm
Pipe centres to skirting board:	125.5mm

HEAT OUTPUT PER SECTION

Delta ΔT 50°C:	187Watts / 638BTUs
Delta ΔT 60°C:	236Watts / 806BTUs

RADIATOR WEIGHT

Empty weight per leg section:	13.5Kgs
Empty weight per middle section:	12.5Kgs
Filled weight per leg section:	16Kgs
Filled weight per middle section:	15Kgs

INTERNAL VOLUME

Leg section	2.5L
Middle section	2.5L

*All measurements and sizes are approximate.

THE ROCOCO 960

RADIATOR DIMENSIONS

Leg section height:	960mm
Middle section height:	900mm
Section length	88mm
Radiator depth:	250mm

INLET & EXIT

Bottom inlet to floor:	110mm
Top inlet to floor:	905mm
Pipe centres to skirting board:	125mm

HEAT OUTPUT PER SECTION

Delta ΔT 50°C:	219Watts / 747BTUs
Delta ΔT 60°C:	276Watts / 944BTUs

RADIATOR WEIGHT

Empty weight per leg section:	16.5Kgs
Empty weight per middle section:	16Kgs
Filled weight per leg section:	20.5Kgs
Filled weight per middle section:	20Kgs

INTERNAL VOLUME

Leg section	4L
Middle section	4L

*All measurements and sizes are approximate.

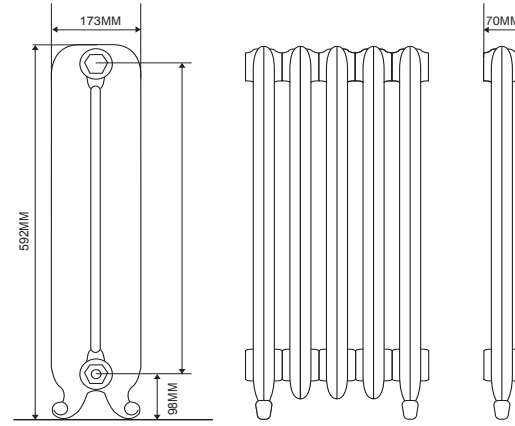
PRB 70/3c - PRB 765/3c - PRF 9603c THE ROCOCO - 470, 765 & 960



RM 592/2 - RM 792/2 THE DUCHESS 592 & 792



30-31



THE DUCHESS 592

RADIATOR DIMENSIONS

Leg section height:	592mm
Middle section height:	536mm
Section length	70mm
Radiator depth:	173mm

INLET & EXIT

Bottom inlet to floor:	98mm
Top inlet to floor:	550mm
Pipe centres to skirting board:	86.5mm

HEAT OUTPUT PER SECTION

Delta ΔT 50°C:	87Watts / 298BTUs
Delta ΔT 60°C:	110Watts / 376BTUs

RADIATOR WEIGHT

Empty weight per leg section:	9Kgs
Empty weight per middle section:	8Kgs
Filled weight per leg section:	10.5Kgs
Filled weight per middle section:	9.5Kgs

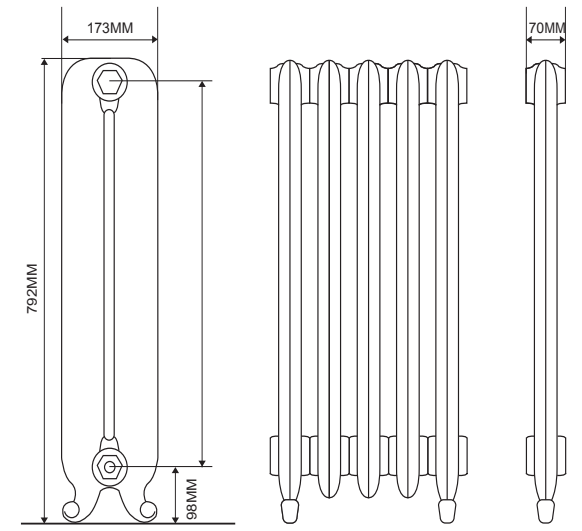
INTERNAL VOLUME

Leg section	1.5L
Middle section	1.5L

*All measurements and sizes are approximate.

RM 592/2 THE DUCHESS 592
RM 792/2 THE DUCHESS 792

Taken from the American Standard design and available in 2 sizes the Peerless is similar to the princess radiator within our range, but with a shallower curve to the top and a more detailed scrolled leg. A classical radiator that using our expert finishing services can suite a traditional or more contemporary home.



THE DUCHESS 792

RADIATOR DIMENSIONS

Leg section height:	792mm
Middle section height:	735mm
Section length	70mm
Radiator depth:	173mm

INLET & EXIT

Bottom inlet to floor:	98mm
Top inlet to floor:	750mm
Pipe centres to skirting board:	86.5mm

HEAT OUTPUT PER SECTION

Delta ΔT 50°C:	112Watts / 382BTUs
Delta ΔT 60°C:	141Watts / 482BTUs

RADIATOR WEIGHT

Empty weight per leg section:	12Kgs
Empty weight per middle section:	11Kgs
Filled weight per leg section:	15Kgs
Filled weight per middle section:	14Kgs

INTERNAL VOLUME

Leg section	3L
Middle section	3L

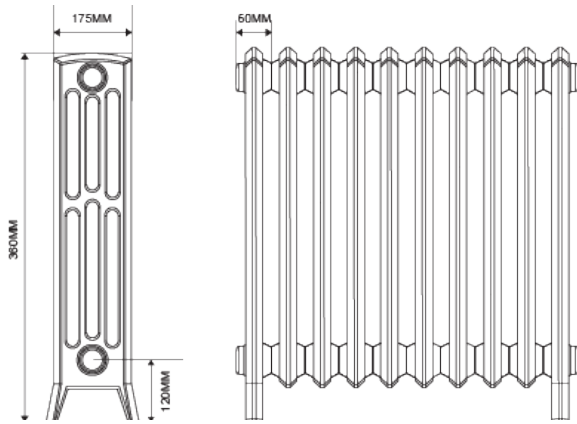
*All measurements and sizes are approximate.



RE 360/4 THE EDWARDIAN 360
RE 460/4 THE EDWARDIAN 460
RE 660/4 THE EDWARDIAN 660
RE 762/4 THE EDWARDIAN 762
RE 960/4 THE EDWARDIAN 960

Influenced by 1930's styling with curved top and crisp clean casting lines the Edwardian is a new range that will suite traditional and modern homes.

With 5 available heights this cast iron radiator will fit most places.



THE EDWARDIAN 360

RADIATOR DIMENSIONS	
Leg section height:	360mm
Middle section height:	300mm
Section length	60mm
Radiator depth:	175mm

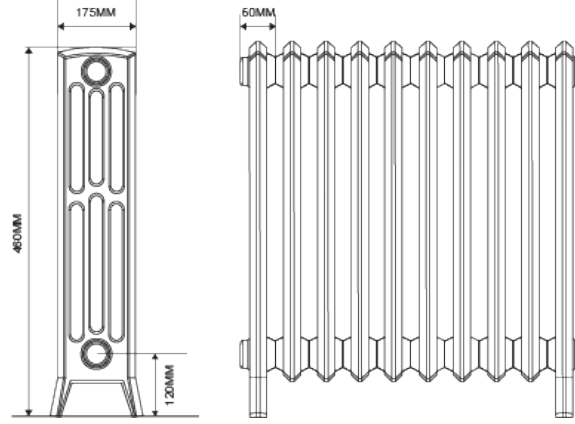
INLET & EXIT	
Bottom inlet to floor:	120mm
Top inlet to floor:	312mm
Pipe centres to skirting board:	87.5mm

HEAT OUTPUT PER SECTION	
Delta ΔT 50°C	43Watts / 147BTUs
Delta ΔT 60°C:	51Watts / 185BTUs

RADIATOR WEIGHT	
Empty weight per leg section:	3.81Kgs
Empty weight per middle section:	3.14Kgs
Filled weight per leg section:	4.71Kgs
Filled weight per middle section:	4.14Kgs

INTERNAL VOLUME	
Leg section	0.9L
Middle section	1L

*All measurements and sizes are approximate.



THE EDWARDIAN 460

RADIATOR DIMENSIONS	
Leg section height:	460mm
Middle section height:	400mm
Section length	60mm
Radiator depth:	175mm

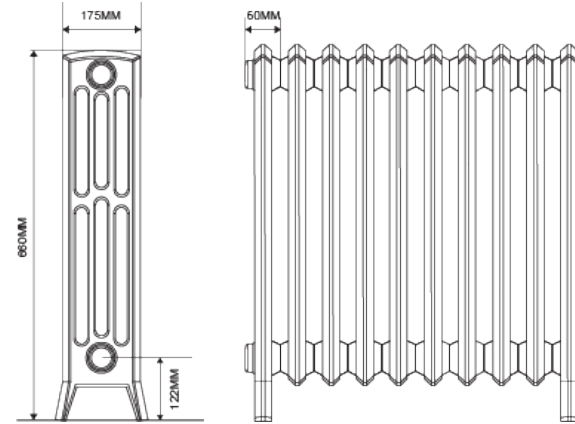
INLET & EXIT	
Bottom inlet to floor:	120mm
Top inlet to floor:	415mm
Pipe centres to skirting board:	87.5mm

HEAT OUTPUT PER SECTION	
Delta ΔT 50°C:	64Watts / 218BTUs
Delta ΔT 60°C:	80Watts / 275BTUs

RADIATOR WEIGHT	
Empty weight per leg section:	4.50Kgs
Empty weight per middle section:	4.3Kgs
Filled weight per leg section:	5.7Kgs
Filled weight per middle section:	5.5Kgs

INTERNAL VOLUME	
Leg section	1.2L
Middle section	1.2L

*All measurements and sizes are approximate.



THE EDWARDIAN 660

RADIATOR DIMENSIONS	
Leg section height:	660mm
Middle section height:	600mm
Section length	60mm
Radiator depth:	175mm

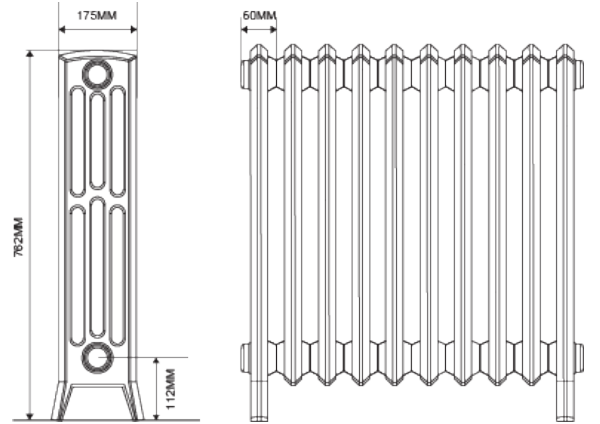
INLET & EXIT	
Bottom inlet to floor:	122mm
Top inlet to floor:	615mm
Pipe centres to skirting board:	87.5mm

HEAT OUTPUT PER SECTION	
Delta ΔT 50°C:	92Watts / 314BTUs
Delta ΔT 60°C:	116Watts / 396BTUs

RADIATOR WEIGHT	
Empty weight per leg section:	5.90Kgs
Empty weight per middle section:	5.15Kgs
Filled weight per leg section:	7.4Kgs
Filled weight per middle section:	6.65Kgs

INTERNAL VOLUME	
Leg section	1.5L
Middle section	1.5L

*All measurements and sizes are approximate.



THE EDWARDIAN 762

RADIATOR DIMENSIONS	
Leg section height:	762mm
Middle section height:	710mm
Section length	60mm
Radiator depth:	175mm

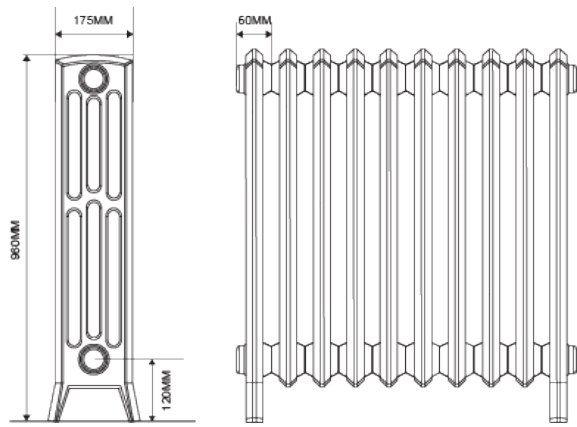
INLET & EXIT	
Bottom inlet to floor:	112mm
Top inlet to floor:	715mm
Pipe centres to skirting board:	87.5mm

HEAT OUTPUT PER SECTION	
Delta ΔT 50°C:	107Watts / 365BTUs
Delta ΔT 60°C:	135Watts / 461BTUs

RADIATOR WEIGHT	
Empty weight per leg section:	6.51Kgs
Empty weight per middle section:	6.28Kgs
Filled weight per leg section:	8.21Kgs
Filled weight per middle section:	8Kgs

INTERNAL VOLUME	
Leg section	1.7L
Middle section	1.7L

*All measurements and sizes are approximate.



THE EDWARDIAN 960

RADIATOR DIMENSIONS

Leg section height:	960mm
Middle section height:	910mm
Section length	60mm
Radiator depth:	175mm

INLET & EXIT

Bottom inlet to floor:	120mm
Top inlet to floor:	915mm
Pipe centres to skirting board:	87.5mm

HEAT OUTPUT PER SECTION

Delta ΔT 50°C:	137Watts / 467BTUs
Delta ΔT 60°C:	172Watts / 590BTUs

RADIATOR WEIGHT

Empty weight per leg section:	8.6Kgs
Empty weight per middle section:	7.9Kgs
Filled weight per leg section:	10.6Kgs
Filled weight per middle section:	9.9Kgs

INTERNAL VOLUME

Leg section	2L
Middle section	2L

*All measurements and sizes are approximate.



RE 360/4C - RE 460/4 - RE 660/4 - RE 762/4 - RE 960/4 THE EDWARDIAN 360, 460, 660, 762 & 960

RE 487/6 - RE 662/6 - RE 764/6 - RE 967/6 THE EDWARDIAN 487, 662, 764 & 967

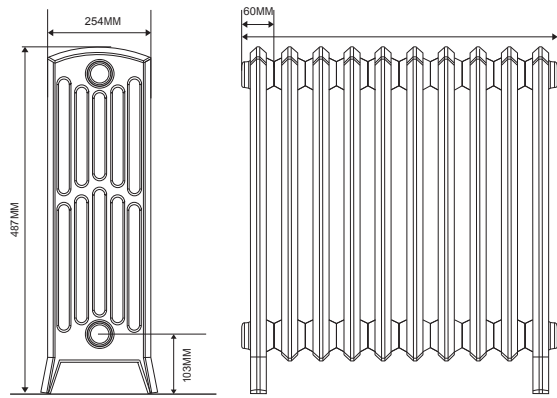


34-35



RE 487/6C THE EDWARDIAN 487
RE 662/6C THE EDWARDIAN 662
RE 764/6C THE EDWARDIAN 764
RE 967/6C THE EDWARDIAN 967

The sister model to Arroll's Edwardian 4 column cast iron radiator. This model provides a higher heat output. With 4 available heights to satisfy all areas within the home.



THE EDWARDIAN 487

RADIATOR DIMENSIONS

Leg section height:	487mm
Middle section height:	423mm
Section length	60mm
Radiator depth:	254mm

INLET & EXIT

Bottom inlet to floor:	103mm
Top inlet to floor:	458mm
Pipe centres to skirting board:	127mm

HEAT OUTPUT PER SECTION

Delta ΔT 50°C:	95Watts / 324BTUs
Delta ΔT 60°C:	119Watts / 409BTUs

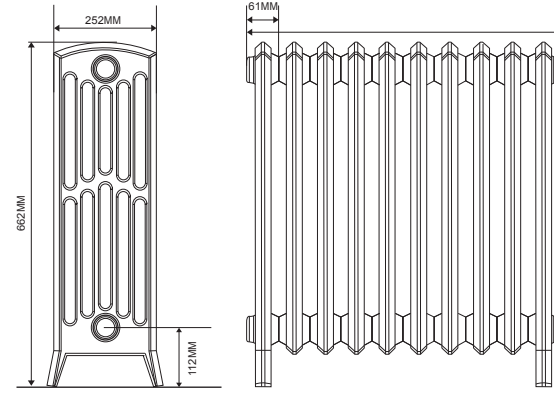
RADIATOR WEIGHT

Empty weight per leg section:	7Kgs
Empty weight per middle section:	6Kgs
Filled weight per leg section:	7.5Kgs
Filled weight per middle section:	6.5Kgs

INTERNAL VOLUME

Leg section	0.5L
Middle section	0.5L

*All measurements and sizes are approximate.



THE EDWARDIAN 662

RADIATOR DIMENSIONS

Leg section height:	662mm
Middle section height:	599mm
Section length	61mm
Radiator depth:	252mm

INLET & EXIT

Bottom inlet to floor:	112mm
Top inlet to floor:	612mm
Pipe centres to skirting board:	126mm

HEAT OUTPUT PER SECTION

Delta ΔT 50°C:	127Watts / 433BTUs
Delta ΔT 60°C:	160Watts / 547BTUs

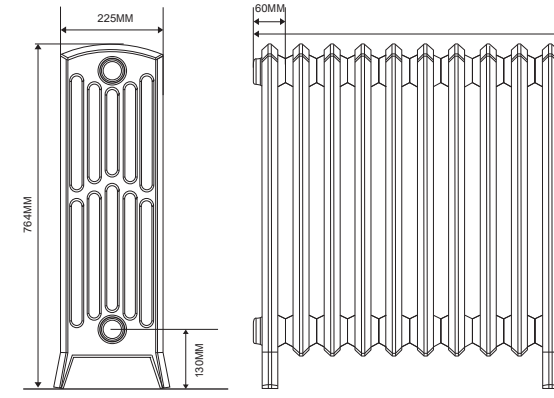
RADIATOR WEIGHT

Empty weight per leg section:	10Kgs
Empty weight per middle section:	9.5Kgs
Filled weight per leg section:	11Kgs
Filled weight per middle section:	10.5Kgs

INTERNAL VOLUME

Leg section	1L
Middle section	1L

*All measurements and sizes are approximate.



THE EDWARDIAN 764

RADIATOR DIMENSIONS

Leg section height:	764mm
Middle section height:	704mm
Section length	60mm
Radiator depth:	225mm

INLET & EXIT

Bottom inlet to floor:	130mm
Top inlet to floor:	734mm
Pipe centres to skirting board:	112.5mm

HEAT OUTPUT PER SECTION

Delta ΔT 50°C:	147Watts / 502BTUs
Delta ΔT 60°C:	185Watts / 634BTUs

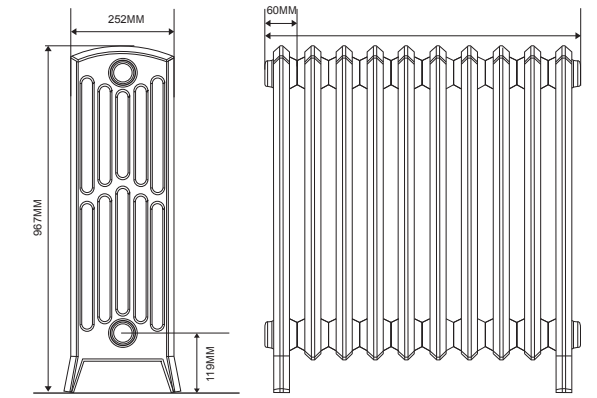
RADIATOR WEIGHT

Empty weight per leg section:	9Kgs
Empty weight per middle section:	8Kgs
Filled weight per leg section:	10.5Kgs
Filled weight per middle section:	9.5Kgs

INTERNAL VOLUME

Leg section	1.5L
Middle section	1.5L

*All measurements and sizes are approximate.



THE EDWARDIAN 967

RADIATOR DIMENSIONS

Leg section height:	967mm
Middle section height:	900mm
Section length	60mm
Radiator depth:	252mm

INLET & EXIT

Bottom inlet to floor:	119mm
Top inlet to floor:	919mm
Pipe centres to skirting board:	126mm

HEAT OUTPUT PER SECTION

Delta ΔT 50°C:	194Watts / 662BTUs
Delta ΔT 60°C:	245Watts / 836BTUs

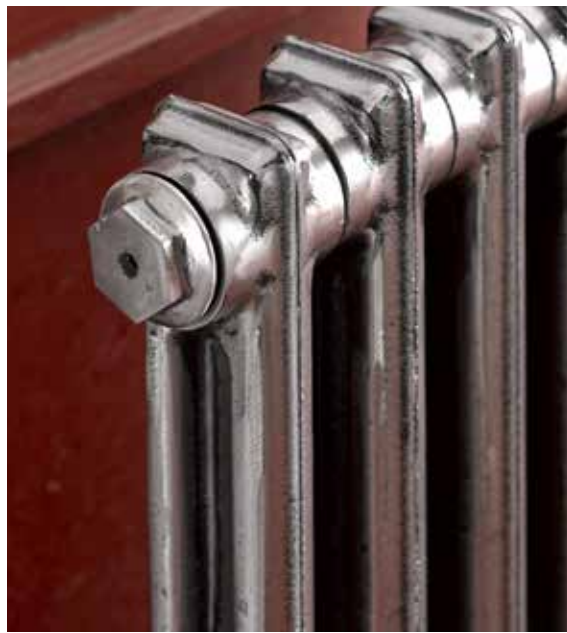
RADIATOR WEIGHT

Empty weight per leg section:	15Kgs
Empty weight per middle section:	14.5Kgs
Filled weight per leg section:	17.1Kgs
Filled weight per middle section:	16.6Kgs

INTERNAL VOLUME

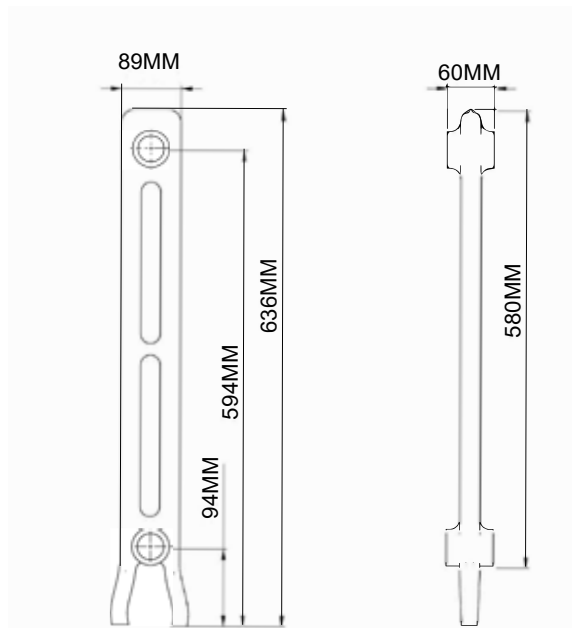
Leg section	2.1L
Middle section	2.1L

*All measurements and sizes are approximate.



RE 636/2C THE EDWARDIAN 636
RE 734/2C THE EDWARDIAN 734
RE 1037/2C THE EDWARDIAN 1037

The sister model to Arroll's Edwardian 4 column cast iron radiator. This 2 column variant is available in 3 new heights, It's slim and stylish design is crafted to add subtle elegance with impressive heat output.



THE EDWARDIAN 636

RADIATOR DIMENSIONS

Leg section height:	636mm
Middle section height:	580mm
Section length	60mm
Radiator depth:	89mm

INLET & EXIT

Bottom inlet to floor:	94mm
Top inlet to floor:	594mm
Pipe centres to skirting board:	44.5mm

HEAT OUTPUT PER SECTION

Delta ΔT 50°C:	62Watts / 212BTUs
Delta ΔT 60°C:	78Watts / 267BTUs

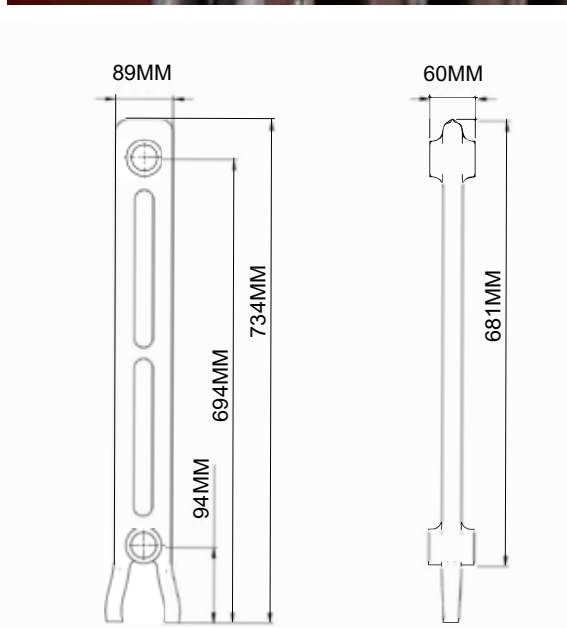
RADIATOR WEIGHT

Empty weight per leg section:	4Kgs
Empty weight per middle section:	4Kgs
Filled weight per leg section:	4.5Kgs
Filled weight per middle section:	4.5Kgs

INTERNAL VOLUME

Leg section	0.5L
Middle section	0.5L

*All measurements and sizes are approximate.



THE EDWARDIAN 734

RADIATOR DIMENSIONS

Leg section height:	734mm
Middle section height:	681mm
Section length	60mm
Radiator depth:	89mm

INLET & EXIT

Bottom inlet to floor:	94mm
Top inlet to floor:	649mm
Pipe centres to skirting board:	44.5mm

HEAT OUTPUT PER SECTION

Delta ΔT 50°C:	70Watts / 239BTUs
Delta ΔT 60°C:	88Watts / 302BTUs

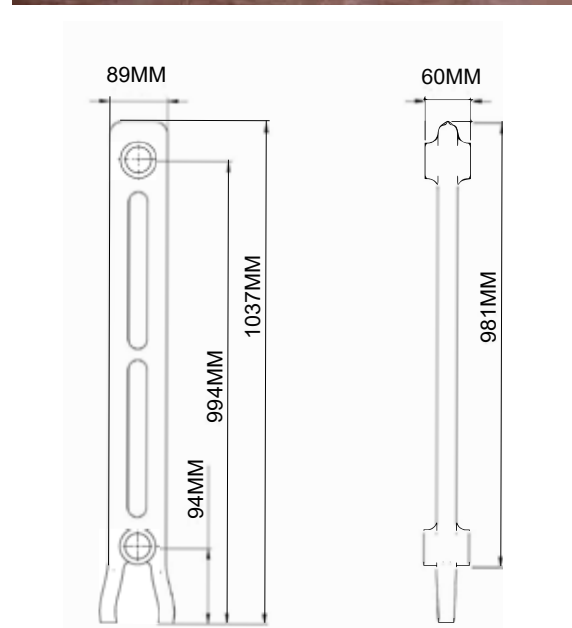
RADIATOR WEIGHT

Empty weight per leg section:	4.5Kgs
Empty weight per middle section:	4.5Kgs
Filled weight per leg section:	5Kgs
Filled weight per middle section:	5Kgs

INTERNAL VOLUME

Leg section	0.5L
Middle section	0.5L

*All measurements and sizes are approximate.



THE EDWARDIAN 1037

RADIATOR DIMENSIONS

Leg section height:	1037mm
Middle section height:	981mm
Section length	60mm
Radiator depth:	89mm

INLET & EXIT

Bottom inlet to floor:	94mm
Top inlet to floor:	994mm
Pipe centres to skirting board:	44.5mm

HEAT OUTPUT PER SECTION

Delta ΔT 50°C:	99Watts / 338BTUs
Delta ΔT 60°C:	125Watts / 427BTUs

RADIATOR WEIGHT

Empty weight per leg section:	5.5Kgs
Empty weight per middle section:	5.5Kgs
Filled weight per leg section:	6Kgs
Filled weight per middle section:	6Kgs

INTERNAL VOLUME

Leg section	0.5L
Middle section	0.5L

*All measurements and sizes are approximate.

RE 636/2C - RE 734/2C RE 1037/2C THE EDWARDIAN 636, 734 & 1037

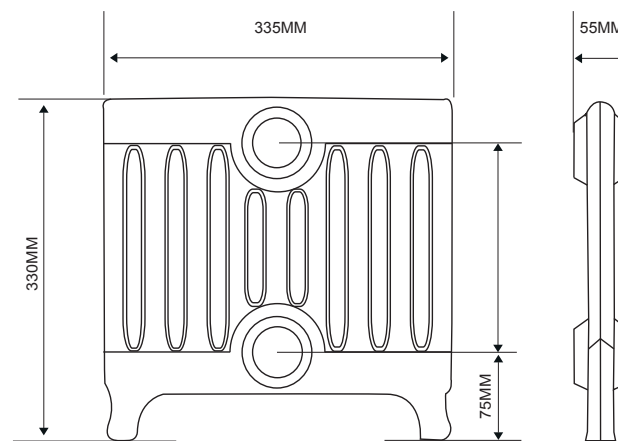
23-37



RV 330/9 THE VICTORIAN 330



39-39



THE VICTORIAN 330

RADIATOR DIMENSIONS

Leg section height:	330mm
Middle section height:	292mm
Section length	55mm
Radiator depth:	335mm

INLET & EXIT

Bottom inlet to floor:	75mm
Top inlet to floor:	293mm
Pipe centres to skirting board:	167.5mm

HEAT OUTPUT PER SECTION

Delta ΔT 50°C:	102Watts / 348BTUs
Delta ΔT 60°C:	128Watts / 439BTUs

RADIATOR WEIGHT

Empty weight per leg section:	7.60Kgs
Empty weight per middle section:	7.18Kgs
Filled weight per leg section:	9.1Kgs
Filled weight per middle section:	8.68Kgs

INTERNAL VOLUME

Leg section	1.5L
Middle section	1.5L

*All measurements and sizes are approximate.

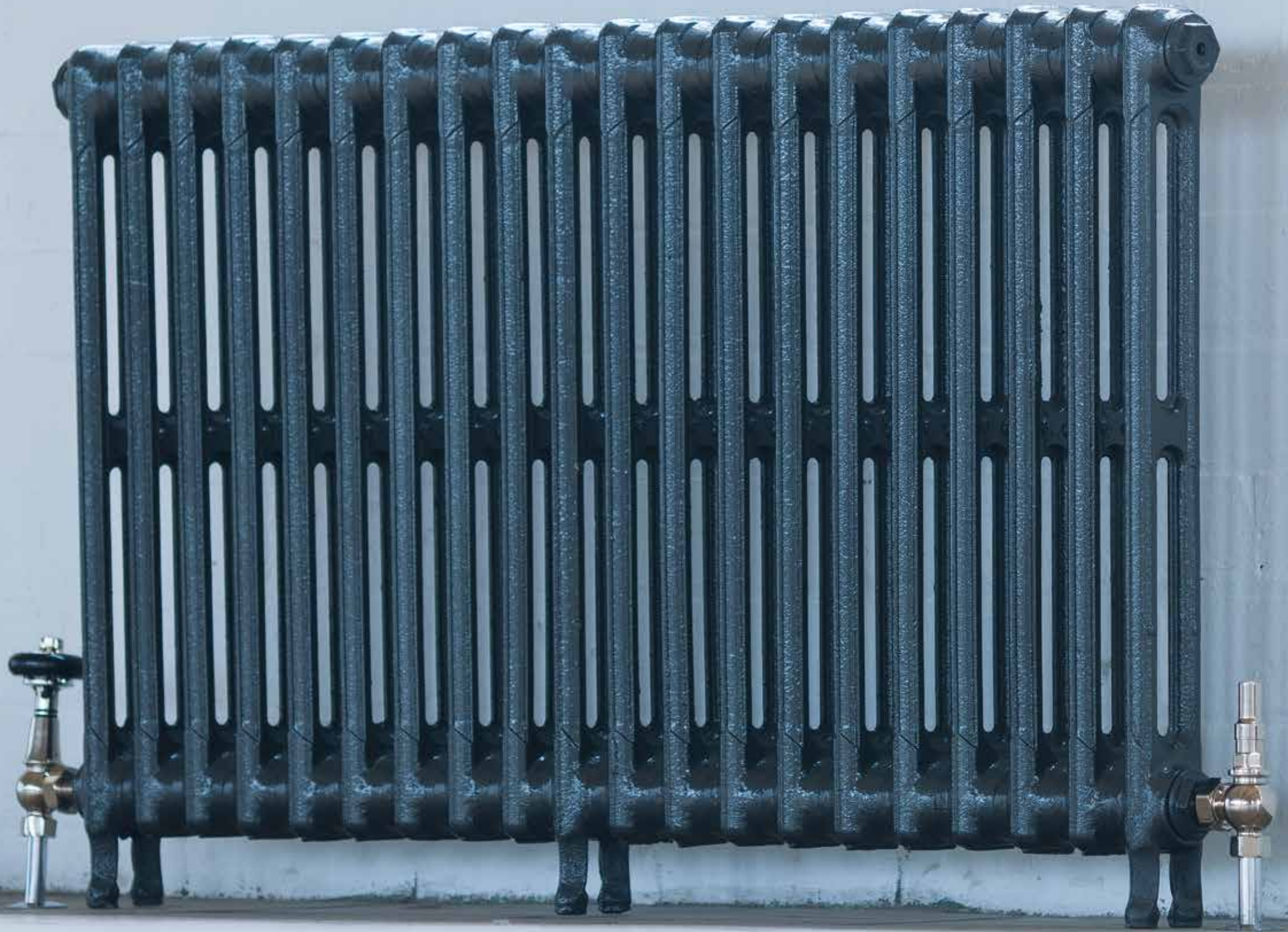


RV 330/9 THE VICTORIAN 330

Another true classic inspired by an original American Radiator Company design. The Victorian 330 is a neat and flexible radiator that fits brilliantly under windows or in conservatories.



RV-616-2C THE VICTORIAN 616



40-41



THE VICTORIAN 616

RADIATOR DIMENSIONS

Leg section height:	616mm
Middle section height:	567mm
Section length:	51mm
Radiator depth:	70mm

INLET & EXIT

Bottom inlet to floor:	83mm
Top inlet to floor:	583mm
Pipe centres to skirting board:	35mm

HEAT OUTPUT PER SECTION

Delta ΔT 50°C:	45Watts / 153BTUs
Delta ΔT 60°C:	56Watts / 193BTUs

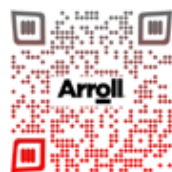
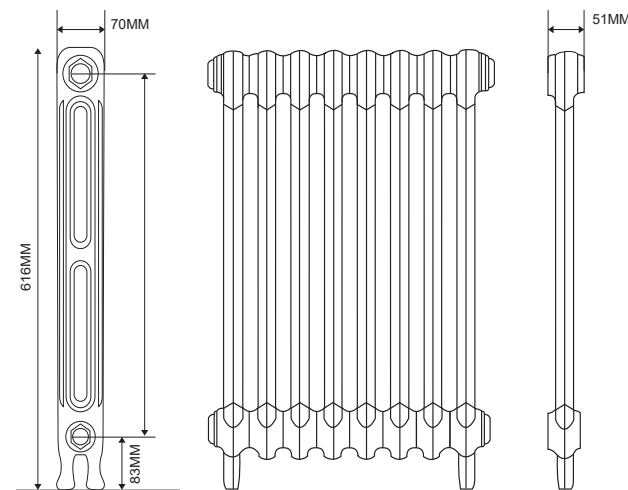
RADIATOR WEIGHT

Empty weight per leg section:	4Kgs
Empty weight per middle section:	3Kgs
Filled weight per leg section:	5Kgs
Filled weight per middle section:	4Kgs

INTERNAL VOLUME

Leg section	1L
Middle section	1L

*All measurements and sizes are approximate.



RV 616/2 THE VICTORIAN 616

Arroll Victorian 2 column cast iron radiators are a perfect for places that depth and space is of premium concern. Replicated from the original American standard this radiator will complement any small space and can be finished in any of our standard or special finishes for a more contemporary home.

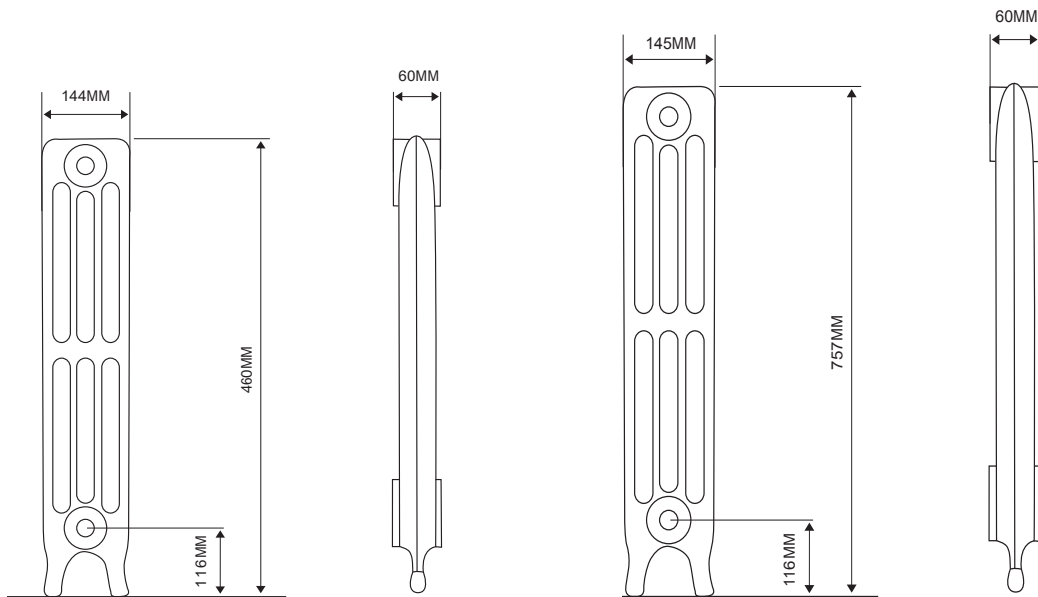




RV 460/4 THE VICTORIAN 460
RV 757/4 THE VICTORIAN 757

Instantly recognisable, we've created the Victorian 4 column radiator by taking a mould of an original Ideal Standard Radiator from the National Radiator Company.

Unlike the Neo-Classic style, the Victorian has a flat foot on each leg section that helps to prevent damage to floor coverings in the home by spreading its weight more evenly.



THE VICTORIAN 460

THE VICTORIAN 757

RADIATOR DIMENSIONS

Leg section height:	460mm
Middle section height:	382mm
Section length	60mm
Radiator depth:	144mm

INLET & EXIT

Bottom inlet to floor:	116mm
Top inlet to floor:	416mm
Pipe centres to skirting board:	72.5mm

HEAT OUTPUT PER SECTION

Delta ΔT 50°C:	57.3Watts / 196BTUs
Delta ΔT 60°C:	73Watts / 247BTUs

RADIATOR WEIGHT

Empty weight per leg section:	3.81Kgs
Empty weight per middle section:	3.24Kgs
Filled weight per leg section:	4.91Kgs
Filled weight per middle section:	4.34Kgs

INTERNAL VOLUME

Leg section	1.1L
Middle section	1.1L

*All measurements and sizes are approximate.

RADIATOR DIMENSIONS

Leg section height:	757mm
Middle section height:	682mm
Section length	60mm
Radiator depth:	145mm

INLET & EXIT

Bottom inlet to floor:	116mm
Top inlet to floor:	716mm
Pipe centres to skirting board:	72.5mm

HEAT OUTPUT PER SECTION

Delta ΔT 50°C:	91.6Watts / 313BTUs
Delta ΔT 60°C:	115Watts / 395BTUs

RADIATOR WEIGHT

Empty weight per leg section:	5.97Kgs
Empty weight per middle section:	5.64Kgs
Filled weight per leg section:	7.37Kgs
Filled weight per middle section:	7.4Kgs

INTERNAL VOLUME

Leg section	1.4L
Middle section	1.4L

*All measurements and sizes are approximate.

RV-460-4C / RV-757-4C THE VICTORIAN 460 & 757

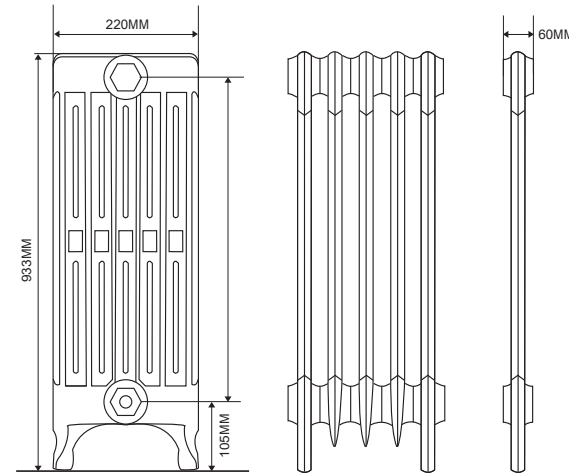
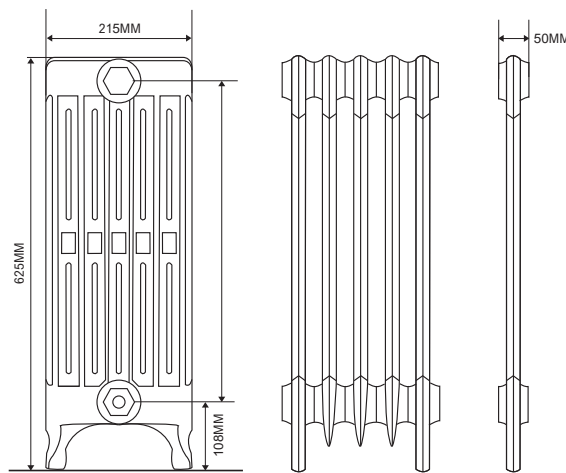


42-43



RV-625-6C THE VICTORIAN 625
RV-933-6C THE VICTORIAN 933

Available in two heights and Styled to complement Arroll Victorian 4 column and two column cast iron radiators the 6 column adds that extra bit of heat output ideal for large areas where space is plentiful.



THE VICTORIAN 625

RADIATOR DIMENSIONS

Leg section height:	625mm
Middle section height:	542mm
Section length	50mm
Radiator depth:	215mm

INLET & EXIT

Bottom inlet to floor:	108mm
Top inlet to floor:	588mm
Pipe centres to skirting board:	107.5mm

HEAT OUTPUT PER SECTION

Delta ΔT 50°C:	105Watts / 360BTUs
Delta ΔT 60°C:	135Watts / 460BTUs

RADIATOR WEIGHT

Empty weight per leg section:	9.5Kgs
Empty weight per middle section:	8.28Kgs
Filled weight per leg section:	10.5Kgs
Filled weight per middle section:	9.28Kgs

INTERNAL VOLUME

Leg section	1L
Middle section	1L

*All measurements and sizes are approximate.

THE VICTORIAN 933

RADIATOR DIMENSIONS

Leg section height:	933mm
Middle section height:	850mm
Section length	60mm
Radiator depth:	220mm

INLET & EXIT

Bottom inlet to floor:	105mm
Top inlet to floor:	895mm
Pipe centres to skirting board:	110mm

HEAT OUTPUT PER SECTION

Delta ΔT 50°C:	164Watts / 559BTUs
Delta ΔT 60°C:	189Watts / 644BTUs

RADIATOR WEIGHT

Empty weight per leg section:	13.68Kgs
Empty weight per middle section:	13.60Kgs
Filled weight per leg section:	14.88Kgs
Filled weight per middle section:	14.8Kgs

INTERNAL VOLUME

Leg section	1.2L
Middle section	1.2L

*All measurements and sizes are approximate.

RV-625-6C / RV-933-6C THE VICTORIAN - 625 & 933



44-45

RN 869 - THE ART DECO 869



46-47

RN 869 THE ART DECO 869

Available in two heights the Art Deco range boasts exuberant detail of the roaring 1920s. A decade of indulgence in the new style of Jazz, dance and popular fashion. The Art Deco is sure to add a touch of 20s glamour to any space.



THE ART DECO 869

RADIATOR DIMENSIONS

Leg section height:	869mm
Middle section height:	749mm
Section length	80mm
Radiator depth:	222mm

INLET & EXIT

Bottom inlet to floor:	120mm
Top inlet to floor:	817mm
Pipe centres to skirting board:	111mm

HEAT OUTPUT PER SECTION

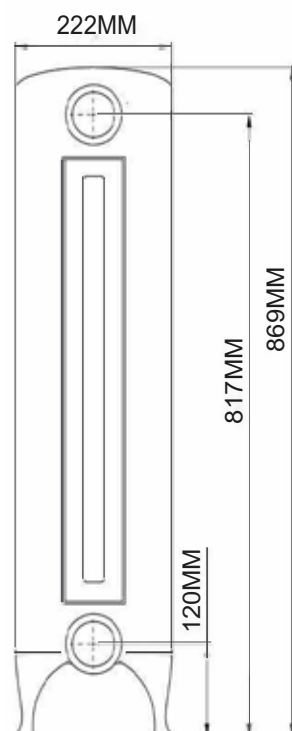
Delta ΔT 50°C:	157Watts / 537BTUs
Delta ΔT 60°C:	198Watts / 678BTUs

RADIATOR WEIGHT

Empty weight per leg section:	14.5Kgs
Empty weight per middle section:	14.5Kgs
Filled weight per leg section:	18Kgs
Filled weight per middle section:	17.5Kgs

INTERNAL VOLUME

Leg section	3.5L
Middle section	3L



*All measurements and sizes are approximate.



RN 649 THE ART DECO 649

Available in two heights the Art Deco range boasts exuberant detail of the roaring 1920s. A decade of indulgence in the new style of Jazz, dance and popular fashion. The Art Deco is sure to add a touch of 20s glamour to any space.



THE ART DECO 649

RADIATOR DIMENSIONS

Leg section height:	649mm
Middle section height:	601mm
Section length	80mm
Radiator depth:	147mm

INLET & EXIT

Bottom inlet to floor:	100mm
Top inlet to floor:	595mm
Pipe centres to skirting board:	73mm

HEAT OUTPUT PER SECTION

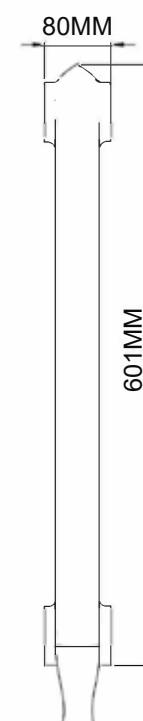
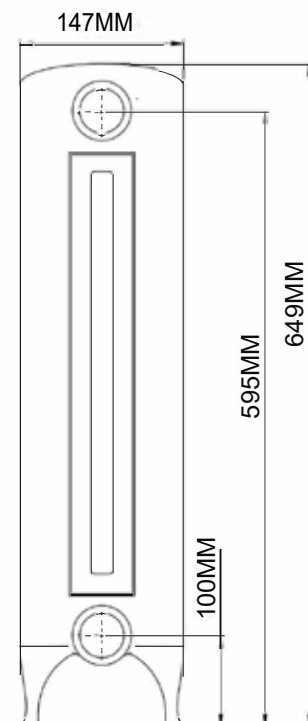
Delta ΔT 50°C:	88Watts / 300BTUs
Delta ΔT 60°C:	111Watts / 379BTUs

RADIATOR WEIGHT

Empty weight per leg section:	8Kgs
Empty weight per middle section:	7.5Kgs
Filled weight per leg section:	10Kgs
Filled weight per middle section:	9.5Kgs

INTERNAL VOLUME

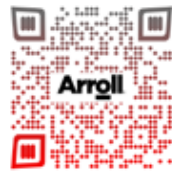
Leg section	2L
Middle section	2L



*All measurements and sizes are approximate.

PRQ-987 THE ALEXANDRA 987

The Alexandra captures the pure essence in French design. With its scrolling intricate design from top to bottom, allow the Alexandra to bring some of the periodic French elegance into the 21st century.



RADIATOR DIMENSIONS

Leg section height:	987mm
Middle section height:	897mm
Section length	74mm
Radiator depth:	160mm

INLET & EXIT

Bottom inlet to floor:	128mm
Top inlet to floor:	916mm
Pipe centres to skirting board:	80mm

HEAT OUTPUT PER SECTION

Delta ΔT 50°C:	125Watts / 425BTUs
Delta ΔT 60°C:	158Watts / 538BTUs

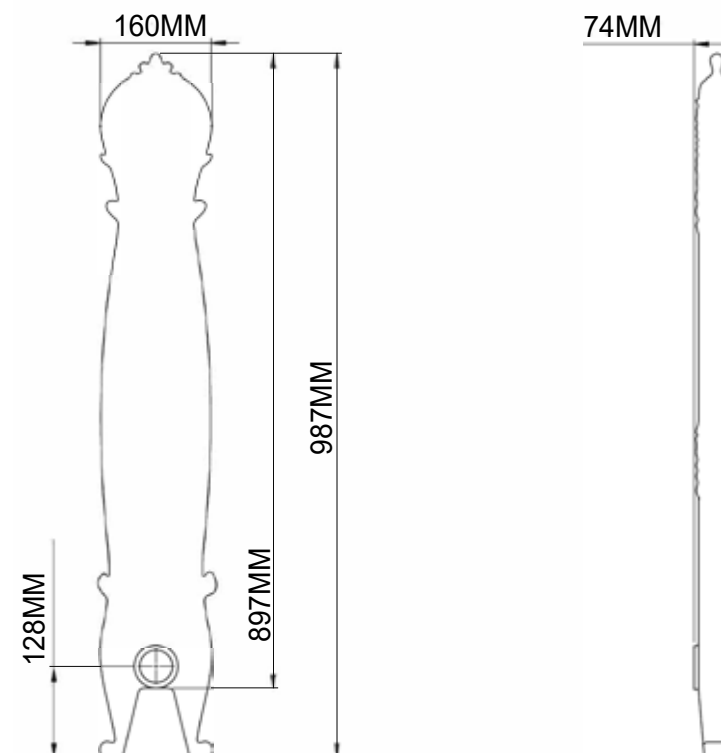
RADIATOR WEIGHT

Empty weight per leg section:	14.5Kgs
Empty weight per middle section:	14Kgs
Filled weight per leg section:	17Kgs
Filled weight per middle section:	16.5Kgs

INTERNAL VOLUME

Leg section	2.5L
Middle section	2.5L

*All measurements and sizes are approximate.



PRQ - 987 / THE ALEXANDRA 987

50-51

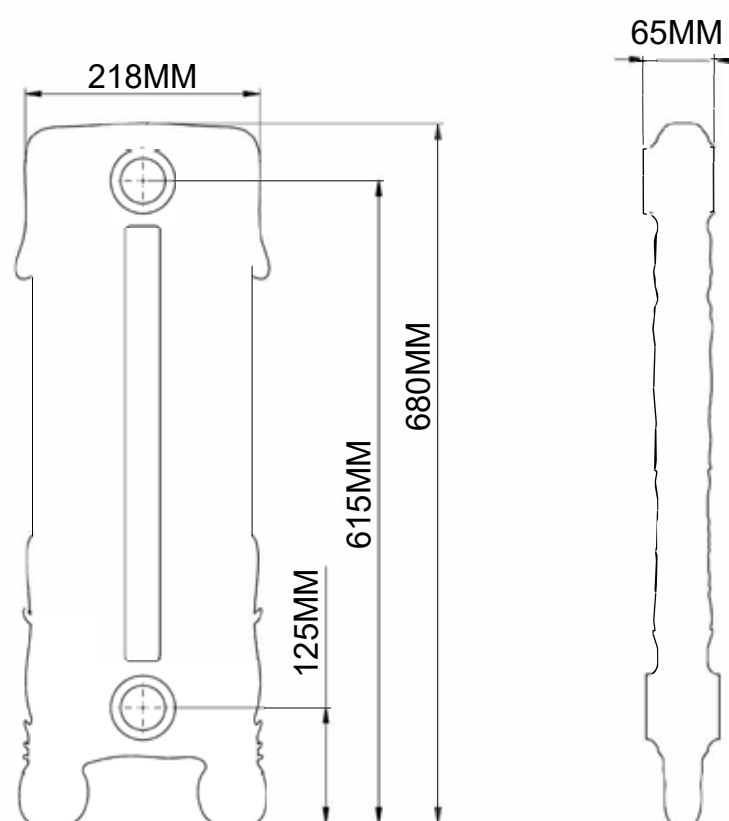
© Copyright 2018 Arroll Limited



PRH-680 THE CHELSEA 680

The intensely decorative Chelsea model revives the 1900s.

With its intricate detailing this radiator will stand out in light and dark colours with harmonizing contrast.



THE CHELSEA 680

RADIATOR DIMENSIONS

Leg section height:	680mm
Middle section height:	615mm
Section length	65mm
Radiator depth:	218mm

INLET & EXIT

Bottom inlet to floor:	125mm
Top inlet to floor:	625mm
Pipe centres to skirting board:	109mm

HEAT OUTPUT PER SECTION

Delta ΔT 50°C:	99Watts / 338BTUs
Delta ΔT 60°C:	125Watts / 426BTUs

RADIATOR WEIGHT

Empty weight per leg section:	14Kgs
Empty weight per middle section:	13Kgs
Filled weight per leg section:	15Kgs
Filled weight per middle section:	14Kgs

INTERNAL VOLUME

Leg section	1L
Middle section	1L

*All measurements and sizes are approximate.

PRH-680 / THE CHELSEA 680



52-53

ANTIQUE COPPER



UK-10



UK-28



UK-12



UK-20



UK-18



UK-11

BLACK NICKEL



UK-10



UK-28



UK-12



UK-20



UK-18



UK-15

BRUSHED NICKEL



UK-10



UK-28



UK-12



UK-20



UK-18



UK-11



UK-15



UK-28



UK-28



UK-28



UK-28



UK-20

CHROME PLATED



UK-10



UK-15



UK-12



UK-18



UK-20



UK-11

ANTIQUE BRASS



UK-15



UK-20



UK-12

OLD ENGLISH BRASS



UK-18



UK-20

POLISHED NICKEL



UK-15



UK-20

PEWTER



UK-28

VALVES

MANUAL & THERMOSTATIC



LUXURY WALL BRACKETS



ANTIQUE COPPER



ANTIQUE COPPER



BLACK NICKEL



BLACK NICKEL



BRUSHED NICKEL



BRUSHED NICKEL



LUXURY BRASS



LUXURY BRASS



LUXURY CHROME



LUXURY CHROME



POLISHED NICKEL



POLISHED NICKEL



PEWTER



STANDARD STEEL



STANDARD STEEL

AIRVENTS



LUXURY CHROME



STANDARD BRASS



BRUSHED NICKEL



POLISHED NICKEL



ANTIQUE COPPER



LUXURY BRASS

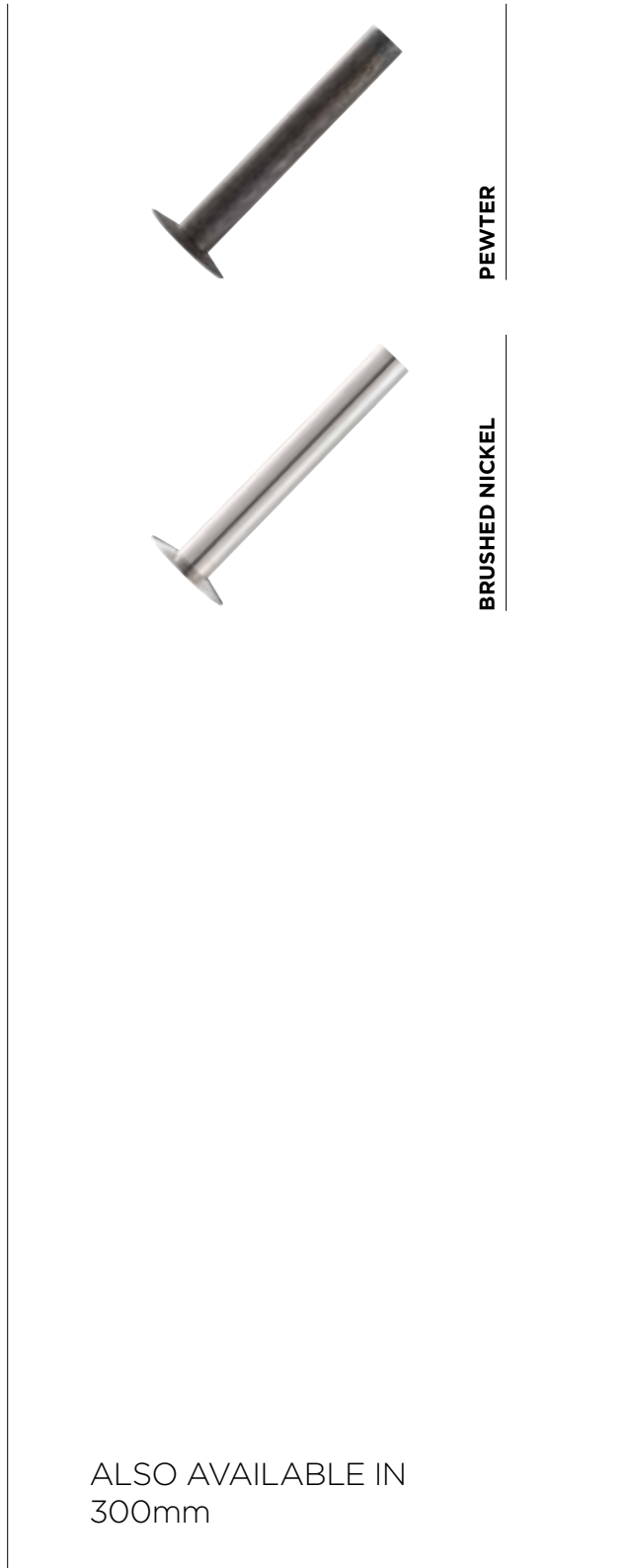


PEWTER



BLACK NICKEL

**130mm
PIPE SHROUD**



ALSO AVAILABLE IN
300mm

41mm 1.25" BSP



FULL POLISH



FULL POLISH



FULL POLISH

47mm 1.5" BSP



FULL POLISH



FULL POLISH



FULL POLISH



FULL POLISH

COMFORT
REDEFINED

Arroll[®]

Arroll
6 Longlands Avenue,
Newtownabbey,
Co.Antrim, BT36 7NE
Northern Ireland

Tel: +44 (0) 28 9036 5725
sales@arroll.co.uk

www.arroll.co.uk

Find Your Nearest Dealer

